

Rack & Panel

42 Series

Panel Mount Miniature

22 AWG - .030" Diameter - 5 Amps



TERMINATION TYPES

Dip Solder:	.125" or .156" standard lengths with other lengths available on special order.	Solder Cup:	Accommodates up to #22 AWG stranded wire.
Grid Spacing:	.100" x .100" grid 50 or 74 contact positions on .100" centers in 3 rows. Two outboard rows for 25 contacts each. Center row either for 24 additional contacts or polarizing pins in specified positions.	Crimp Removable:	Crimp contacts available for #20 through #30 AWG stranded wire. Designed for four indent crimp. See crimp tooling.

POLARIZATION

Available in 50 contact configuration only. Choice of any combination of 24, center positions. Specify polarizing positions required. Positions top to bottom are: A, B, C,	D, E, F, H, J, K, L, M, N, P, R, S, T, U, V, W, X, Y, Z, a.b. When 74 contacts are required no polarization other than hardware polarization is available.
---	---

SPECIFICATIONS

Current Rating: 5.0 amps.	Dielectric: Minimum withstanding voltage is one minute electrification at 1200 VAC.
Pin Contacts: .030" dia. gold plated brass conforming to specification QQ-B-626.	Polarization: Polarizing pins may be used in any combination in center row.
Socket Contacts: Gold plated phosphor bronze.	Jackscrews: Passivated stainless steel, anodized aluminum knobs.
Termination Types: Solder cup, dip solder and crimp removable contacts.	Hoods: Anodized aluminum, top opening only.
Housing Material: Red diallyl phthalate for Dip Solder and Solder Cup Housings. Green diallyl phthalate for Crimp Removable Housings	

CRIMP TOOLING

Automatic Crimping Machine: Cat. No. 107-0952.	Contact Removal Tool: Cat. No. 107-1012.
Hand Crimping Tool: Cat. No. 107-0616.	Contact Insertion Tool: Cat. No. 107-1011.
Locator: Cat. No. 107-0617.	

Winchester

62 Barnes Industrial Road North, Wallingford, Connecticut 06492 Phone:(203)741-5400 Fax:(203)741-5500 www.winchesterelectronics.com

Rack & Panel

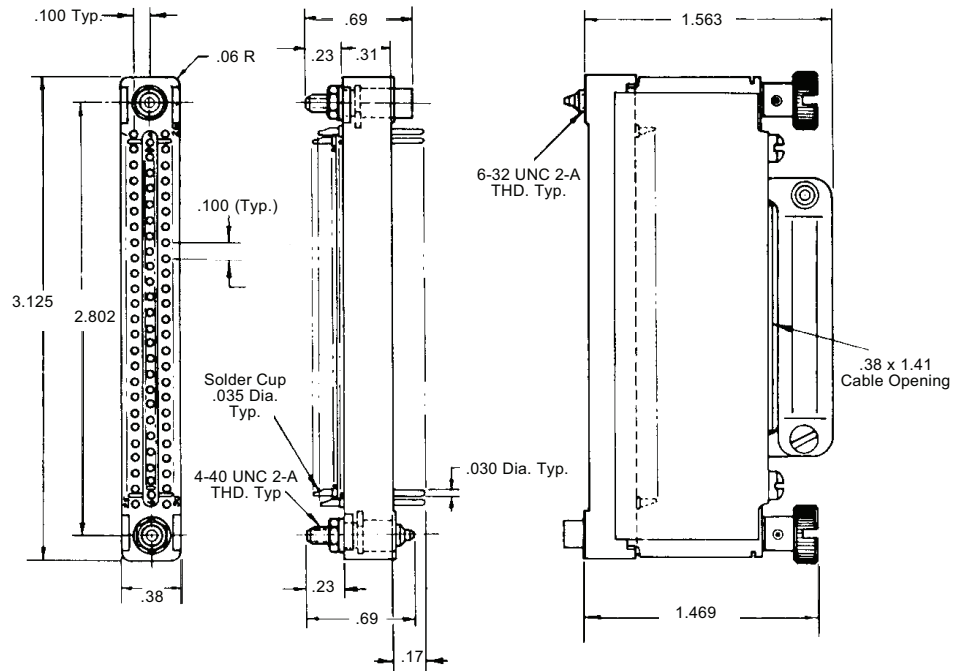
42 Series

Panel Mount Miniature

22 AWG - .030" Diameter - 5 Amps

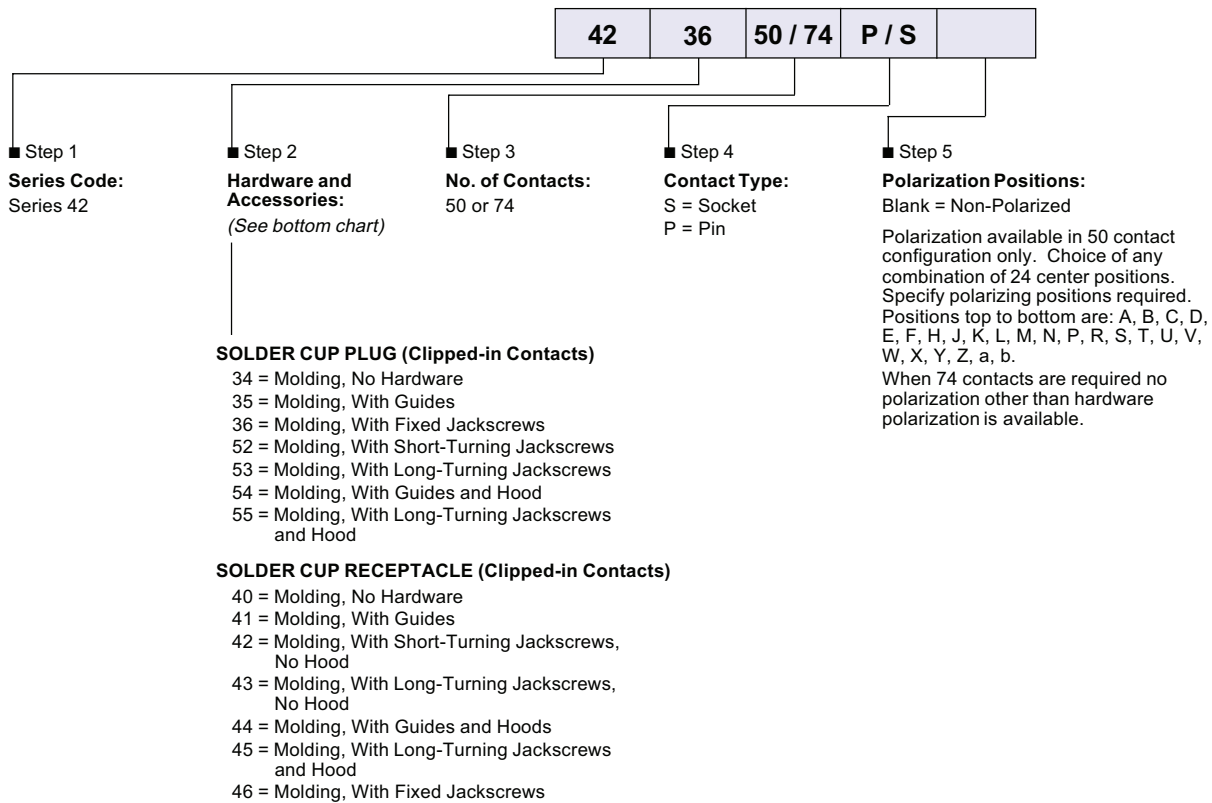
OUTLINE

Dimensions are for reference only and are subject to change. Outline drawings on request.



Solder Cup, Clipped-in Contacts

ORDERING INFORMATION



Winchester

62 Barnes Industrial Road North, Wallingford, Connecticut 06492 Phone:(203)741-5400 Fax:(203)741-5500 www.winchesterelectronics.com

Rack & Panel

42 Series

Panel Mount Miniature

22 AWG - .030" Diameter - 5 Amps

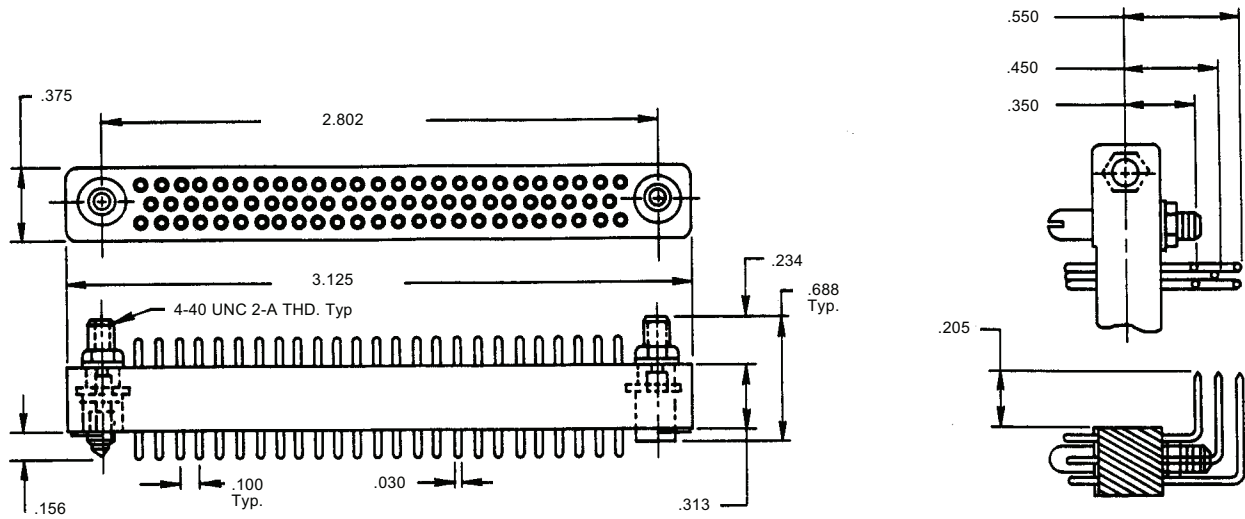
OUTLINE

Dimensions are for reference only and are subject to change. Outline drawings on request.

Dip Solder Receptacle

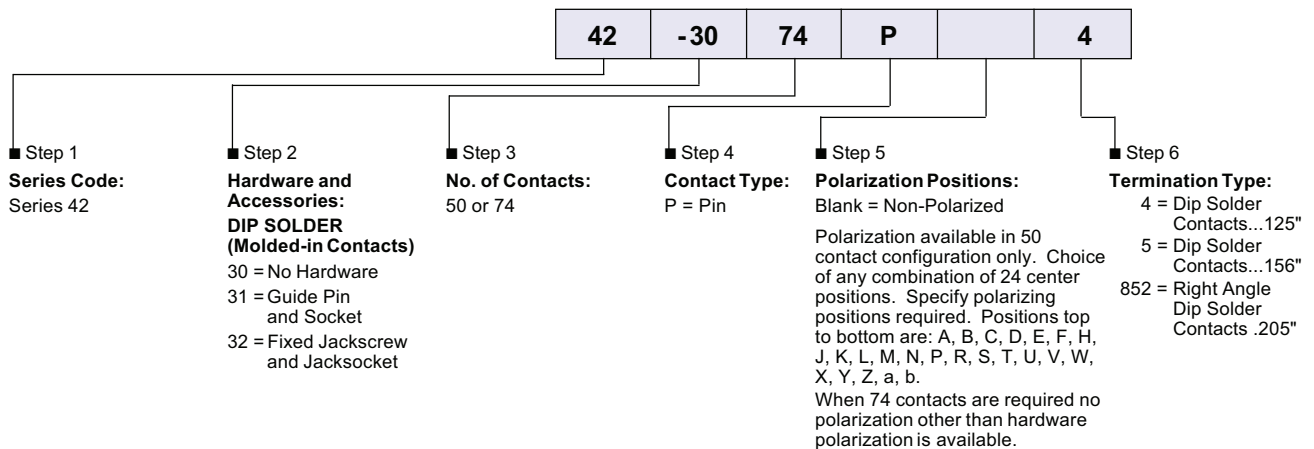
Shown:

74 contact right angle configuration. Center row eliminated for 50 contact connector.



Dip Solder, Molded-in Contacts

ORDERING INFORMATION



Winchester

62 Barnes Industrial Road North, Wallingford, Connecticut 06492 Phone:(203)741-5400 Fax:(203)741-5500 www.winchesterelectronics.com

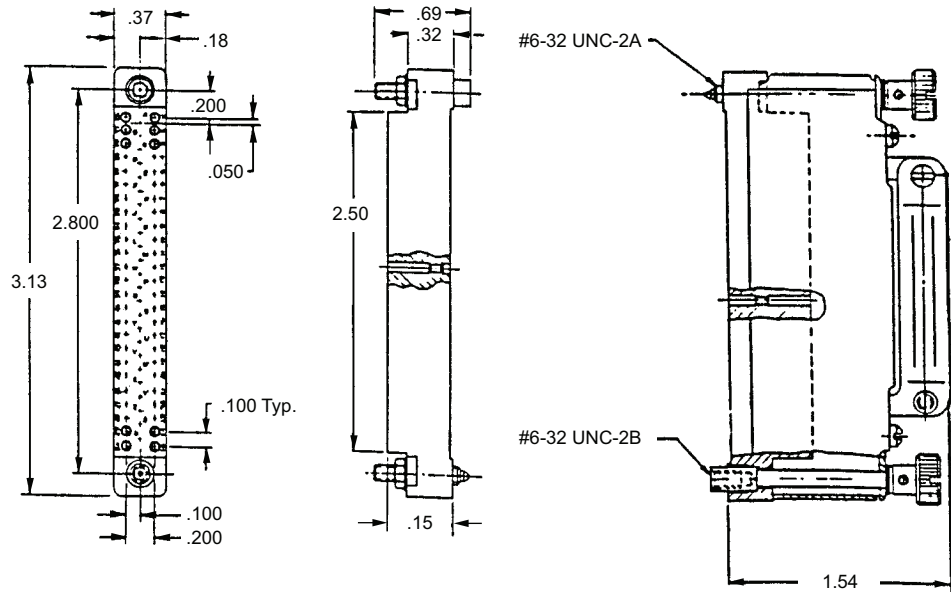
Rack & Panel

42 Series

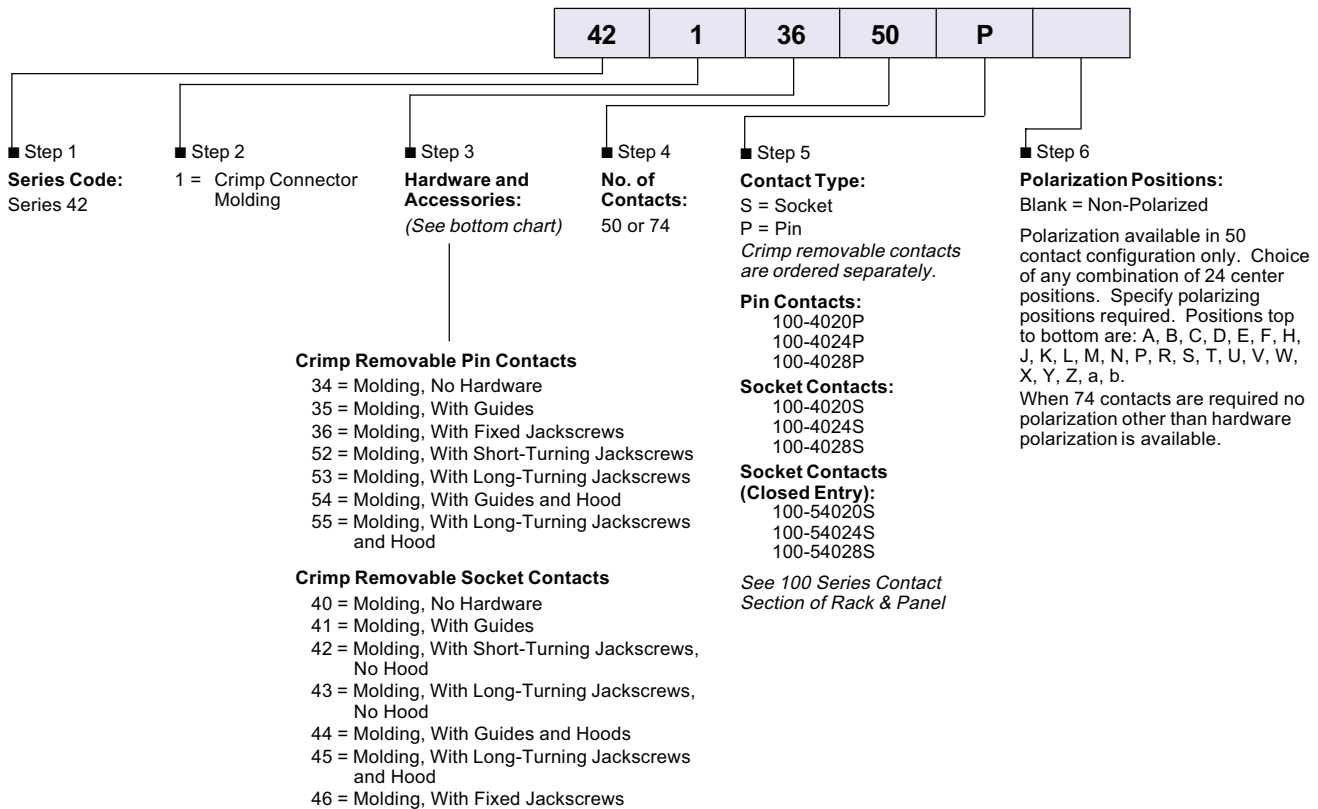
Panel Mount Miniature

22 AWG - .030" Diameter - 5 amps

OUTLINE



ORDERING INFORMATION



Winchester

62 Barnes Industrial Road North, Wallingford, Connecticut 06492 Phone:(203)741-5400 Fax:(203)741-5500 www.winchesterelectronics.com