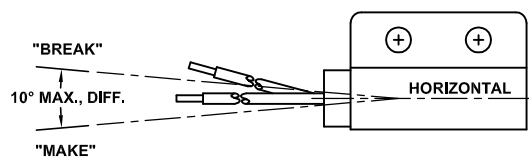
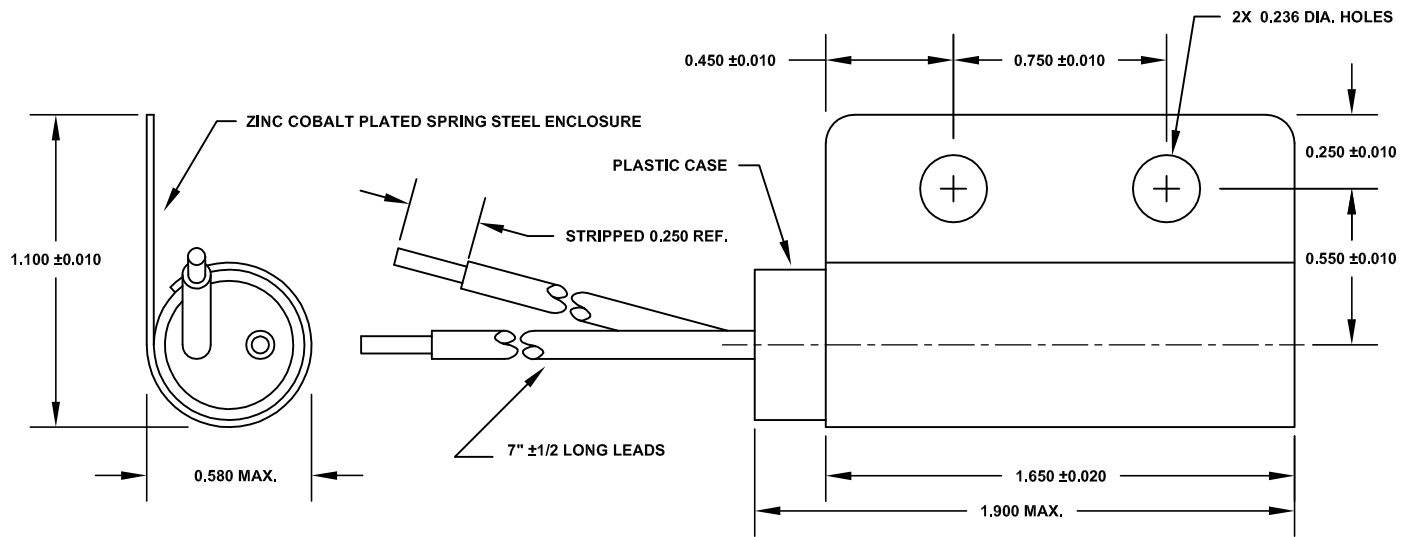


**NOTES:**

1. CONTACT CLOSED CCW ROTATION AS THE DRAWING SHOWS THE ASSEMBLY.
2. LOAD RATINGS: 10 A, 120 V AC;  
3 A, 240 V AC/DC.
3. DIFFERENTIAL ANGLE 10° MAXIMUM.
4. LEADS WIRE # 18 AWG, BLACK NEOPRENE INSULATION.

OPERATING POSITION

<b>COMUS INTERNATIONAL</b>			
454 ALLWOOD RD., CLIFTON, NJ 07012, U.S.A. PH. (973) 777 - 6900			
TOLERANCES (Except as noted)	REF.:	SCALE: NONE	DRAWN BY: L.L.
APPROVED:	DATE:		
DECIMAL $\pm .01$ (0.254) 2 Digit	FRACTIONAL $\pm 1/64$ (0.397)	TITLE: ENCAPSULATED TILT SWITCH	
$\pm .005$ (0.127) 3 Digit	$\pm 1/2"$	DATE: 02/02/1999	DRAWING NUMBER: CM1000-90