

Soft Shift® Size 6EP

Part Number: 192907-0XX

All catalog products manufactured after April 1, 2006 are RoHS Compliant

Performance

Maximum Duty Cycle	100%	50%	25%	10%
Maximum ON Time (sec) when pulsed continuously ¹	∞	87	36	13
Maximum ON Time (sec) for single pulse ²	∞	140	44	16
Watts (@ 20°C)	32	64	128	320
Ampere Turns (@ 20°C)	1480	2080	2940	4620

Coil Data

awg (0XX) ³	Resistance (@20°C)	# Turns ⁴	VDC (Nom)	VDC (Nom)	VDC (Nom)	VDC (Nom)
23	4.69	567	12.3	17.2	24.0	38.0
24	7.43	710	15.5	22.0	31.0	48.0
25	12.90	960	19.9	28.0	39.0	62.0
26	19.70	1170	25.0	35.0	49.0	78.0
27	32.00	1500	32.0	44.0	63.0	99.0
28	51.60	1904	40.0	56.0	79.0	125.0
29	74.40	2232	49.0	69.0	98.0	154.0
30	126.00	2940	63.0	89.0	126.0	198.0
31	195.00	3611	80.0	112.0	159.0	250.0
32	288.00	4350	98.0	138.0	195.0	306.0
33	427.00	5010	126.0	177.0	251.0	394.0

- ¹ Continuously pulsed at stated watts and duty cycle
- ² Single pulse at stated watts (with coil at ambient room temperature 20°C)
- ³ Other coil awg sizes available — please consult factory
- ⁴ Reference number of turns

Specifications

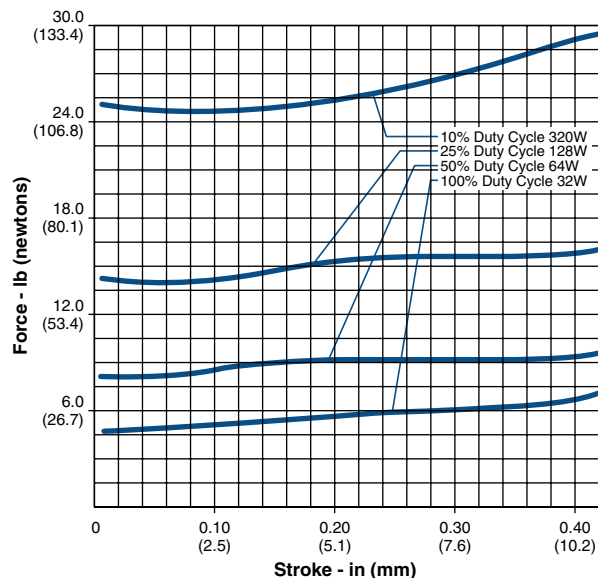
Stroke	0.420 ± 0.030 inches (10.67 ± 0.762 mm)
Dielectric Strength	1200 VRMS (23-31 awg); 1500 VRMS (32-33 awg)
Recommended Minimum Heat Sink	Maximum watts dissipated by solenoid are based on an unrestricted flow of air at 20°C, with solenoid mounted on the equivalent of an aluminum plate measuring 12 ³ / ₈ " square by 1 ¹ / ₈ " thick
Coil Resistance	±5% tolerance on all coil awg
Spring Rate	4.74 lb/in; 1.08 lb ±30% preload reference
Weight	1 lb 7 oz (652 gms)
Dimensions	Ø2.250" x 2.214" (See page E10)

How to Order

Add the coil awg number (0XX) to the part number (for example: to order a 25% duty cycle unit rated at 63 VDC, specify 192907-027).

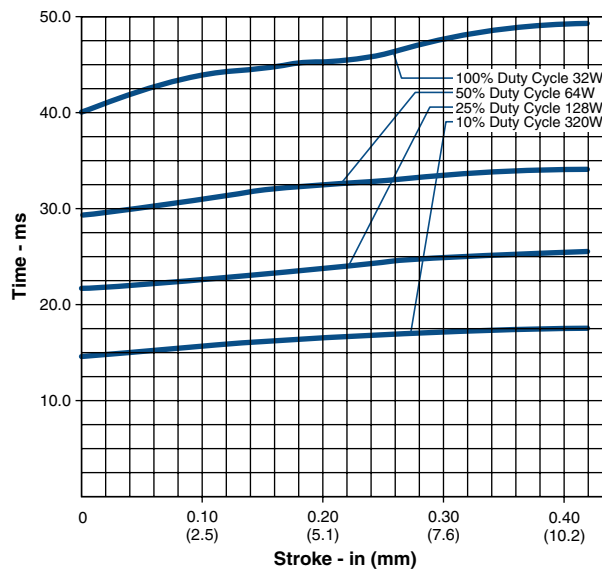
Please see www.ledex.com (click on Stock Products tab) for our list of stock products available through our North American distributors.

Size 6EP — Typical Force @ 20°C



Force values for reference only.

Size 6EP — Typical Speed @ No Load, 20°C



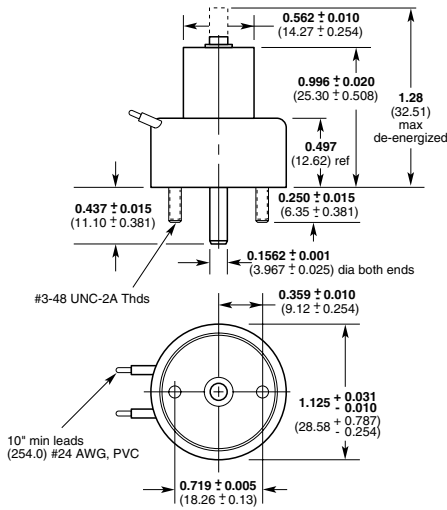
All specifications subject to change without notice.

Soft Shift® Dimensions

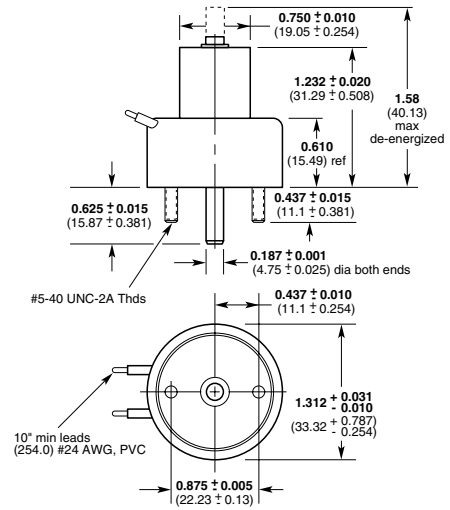
inches (mm)

All solenoids are illustrated in energized state

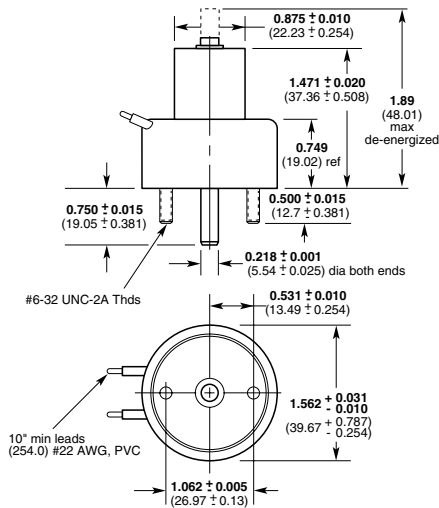
Size 2EP



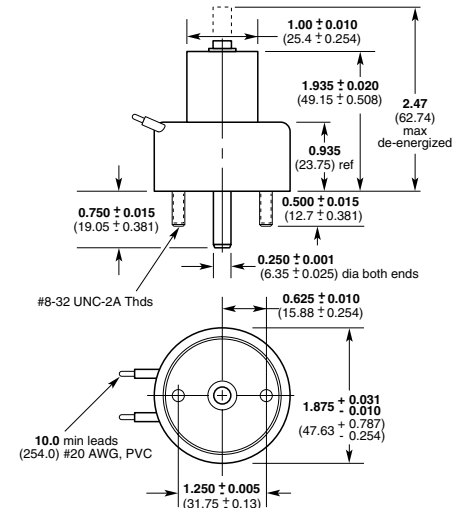
Size 3EP



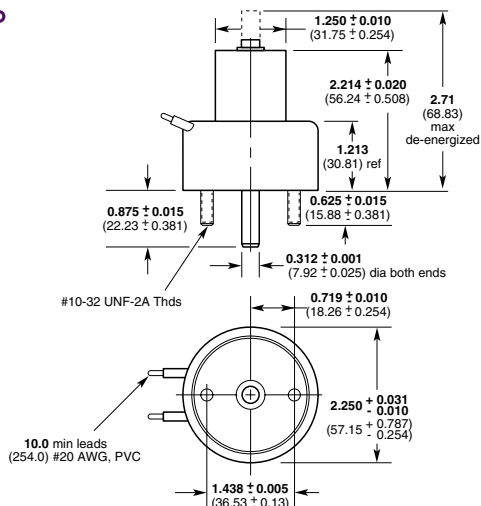
Size 4EP



Size 5EP



Size 6EP



All specifications subject to change without notice.