

Ledex® Box Frame Size B14-L — DC Operation

Magnetic Latching

Part Number: B14 - L - **X** **XX** - B- 4

Coil Selection
(from performance chart below)

Pole Configuration
1 Flat Face
2 50° Conical

All catalog products manufactured after April 1, 2006 are RoHS Compliant

Well-suited for battery operation.



See the "Battery Operated Solenoids" section for complete information.

Specifications

Operation	Pull
Dielectric Strength	500 VRMS for one second
Unlatch Voltage	See schematic and coil data below
Magnet Hold Force*	
Flat Face:	2.10 lb (with return spring)
50° Conical:	1.25 lb (with return spring)
Coil Insulation	Class "B": 130°C max. (standard); other temperature classes available
Coil Termination	10" PVC lead wires
Spring Force	0.37 lb/in; 0.17 lb latched position
Plunger Pole Face	Flat face with return spring 50° conical with return spring (other options available)
Plunger Weight	0.50 oz (14.2 g)
Total Weight	3.38 oz (95.9 g)
Dimensions	See page H36

*In no power, latched position

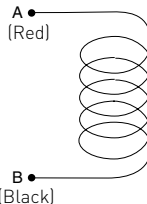
Maximum Duty Cycle	Unlatched			
	Voltage	50%	25%	10%
Maximum ON Time (sec) when pulsed continuously	∞	100	36	7
Maximum ON Time (sec) for single pulse	∞	480	180	45
Watts (@ 20°C)	5.2	10.4	20.8	52.2
Ampere Turns (@ 20°C)	750	1060	1500	2370

Coil Data

Part Number	Resistance (@20°C)	Ref # Turns	Unlatch VDC	VDC (Nom)	VDC (Nom)	VDC (Nom)
B14-L-X58-B-4	1.93	480	3	4	6	10
B14-L-X55-B-4	6.90	871	6	8.5	12	19
B14-L-X56-B-4	17.40	1408	9	13	18	29
B14-L-X54-B-4	28.60	1791	12	17	24	38
B14-L-X53-B-4	110.00	3450	24	34	48	76

Coil Polarity

Latch: A+ B-
Unlatch: A- B+

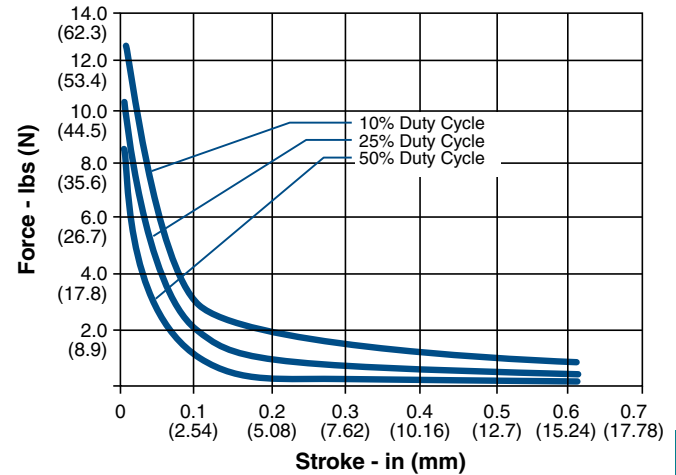


NOTES:

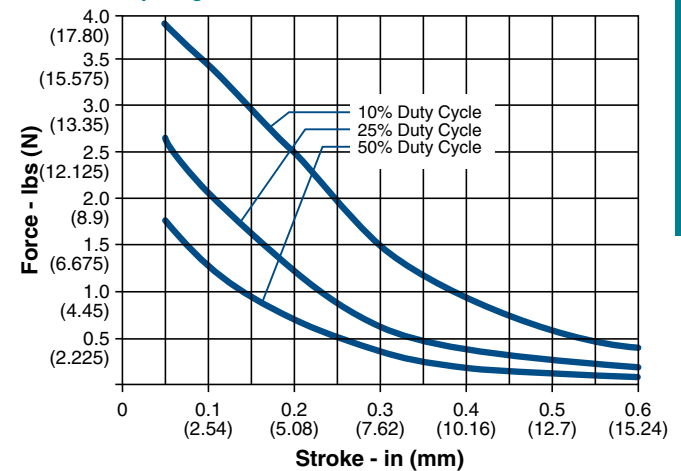
- All data is typical.
- Force testing is done with the solenoid in the horizontal position.
- All data reflects operation with no heatsink.

Force values for reference only.

Typical Force @ 20°C – Flat Face Armature (net with spring)



Typical Force @ 20°C – 50° Conical Armature (net with spring)



How to Order

Select the part number from the table provided. (For example, to order a 25% duty cycle unit rated at 48 VDC with a 50° Conical Armature, specify B14-L-253-B-4.

Please see www.ledex.com (click on Stock Products tab) for our list of stock products available through our North American distributors.

All specifications subject to change without notice.

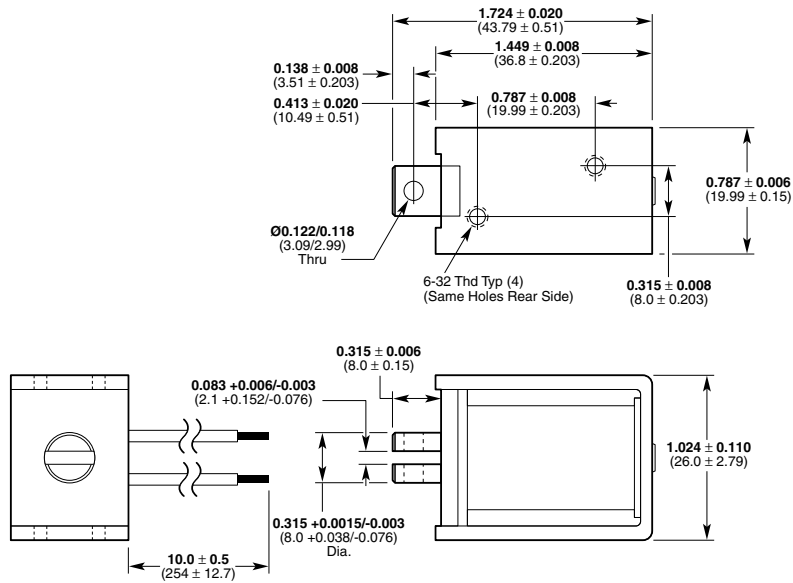
LINEAR Open Frame

Ledex® Box Frame Dimensions

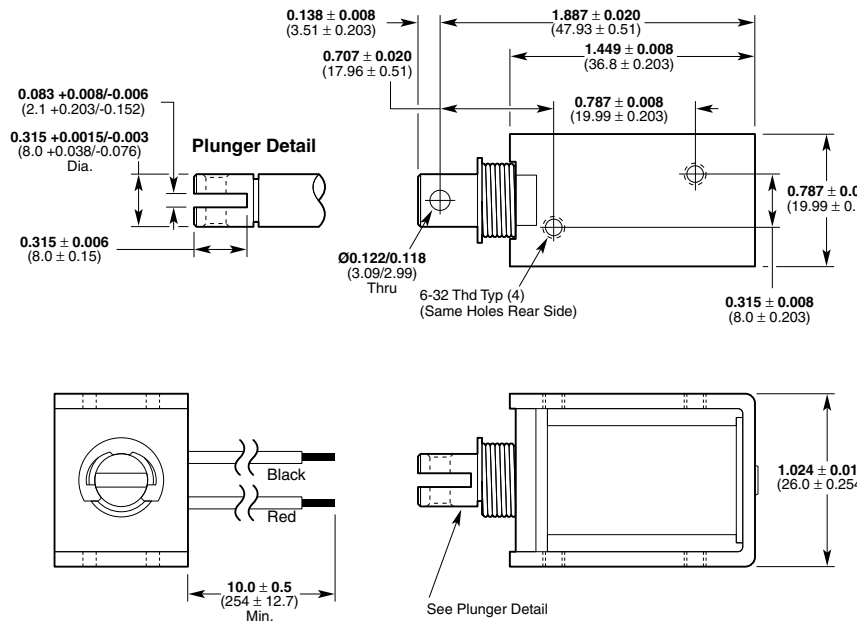
Inches (mm)

All solenoids are illustrated in energized state

B14



B14-L



All specifications subject to change without notice.