

# Soft Shift® Size 5EP

Part Number: 193015-0XX

All catalog products manufactured after April 1, 2006 are RoHS Compliant

## Performance

Maximum Duty Cycle	100%	50%	25%	10%
Maximum ON Time (sec) when pulsed continuously <sup>1</sup>	∞	100	36	10
Maximum ON Time (sec) for single pulse <sup>2</sup>	∞	160	44	13
Watts (@ 20°C)	21	42	84	210
Ampere Turns (@ 20°C)	1015	1440	2030	3210

### Coil Data

awg (0XX) <sup>3</sup>	Resistance (@20°C)	# Turns <sup>4</sup>	VDC (Nom)	VDC (Nom)	VDC (Nom)	VDC (Nom)
23	2.70	384	7.2	10.1	14.3	23.0
24	4.30	486	9.0	12.7	18.0	28.0
25	6.66	590	11.5	16.2	23.0	36.0
26	10.30	737	14.0	20.0	28.0	44.0
27	15.70	900	17.7	25.0	35.0	56.0
28	26.60	1190	23.0	32.0	45.0	72.0
29	38.00	1380	28.0	40.0	56.0	89.0
30	62.10	1768	36.0	51.0	71.0	113.0
31	96.10	2166	45.0	64.0	90.0	143.0
32	157.00	2816	57.0	80.0	113.0	179.0
33	241.00	3432	71.0	101.0	143.0	226.0

- <sup>1</sup> Continuously pulsed at stated watts and duty cycle
- <sup>2</sup> Single pulse at stated watts (with coil at ambient room temperature 20°C)
- <sup>3</sup> Other coil awg sizes available — please consult factory
- <sup>4</sup> Reference number of turns

## Specifications

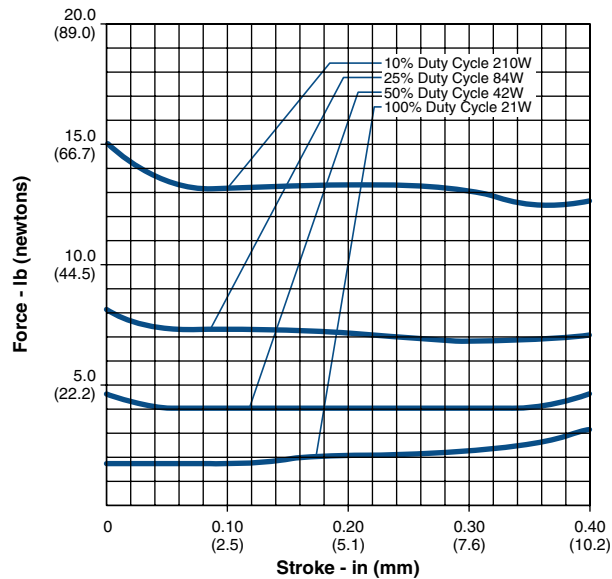
Stroke	0.400 ± 0.030 inches (10.16 ± 0.762 mm)
Dielectric Strength	1000 VRMS (23 awg); 1200 VRMS (24-33 awg)
Recommended Minimum Heat Sink	Maximum watts dissipated by solenoid are based on an unrestricted flow of air at 20°C, with solenoid mounted on the equivalent of an aluminum plate measuring 7½" square by ⅛" thick
Coil Resistance	±5% tolerance on all coil awg
Spring Rate	4.41 lb/in; 0.45 lb ±30% preload reference
Weight	12 oz (340.2 gms)
Dimensions	Ø1.875" x 1.935" (See page E10)

## How to Order

Add the coil awg number (0XX) to the part number (for example: to order a 25% duty cycle unit rated at 35 VDC, specify 193015-027).

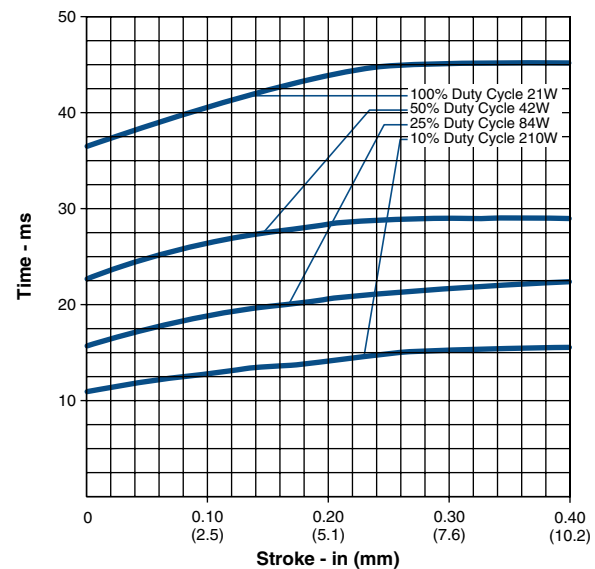
Please see [www.ledex.com](http://www.ledex.com) (click on Stock Products tab) for our list of stock products available through our North American distributors.

## Size 5EP — Typical Force @ 20°C



Force values for reference only.

## Size 5EP — Typical Speed @ No Load, 20°C



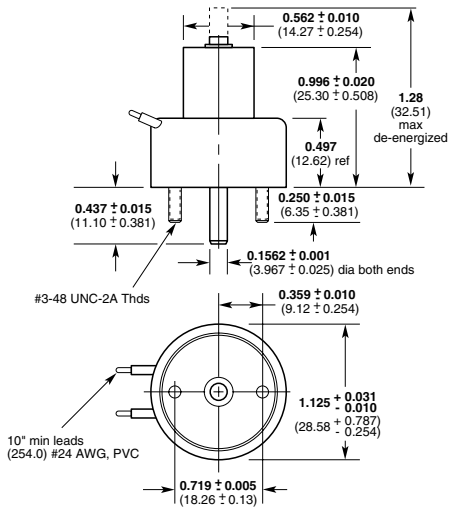
All specifications subject to change without notice.

# Soft Shift® Dimensions

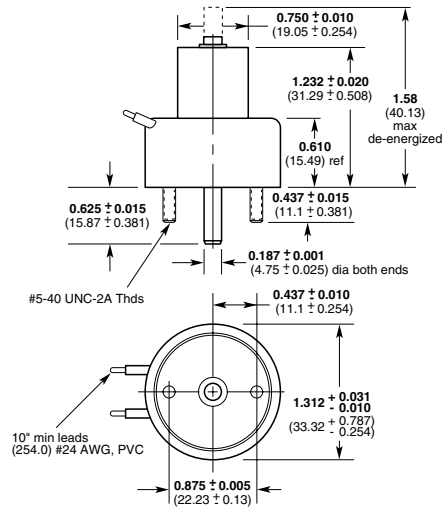
inches (mm)

All solenoids are illustrated in energized state

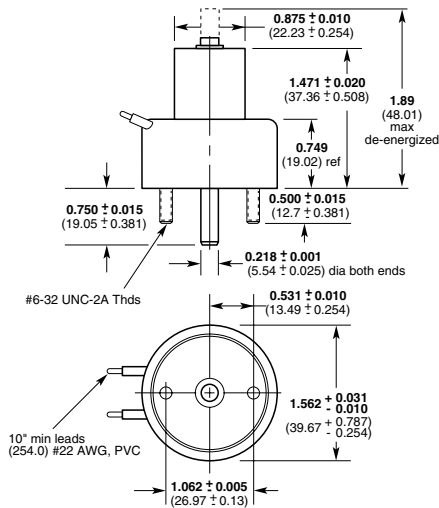
## Size 2EP



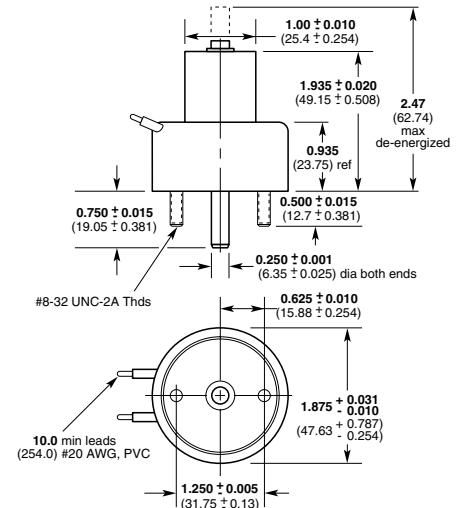
## Size 3EP



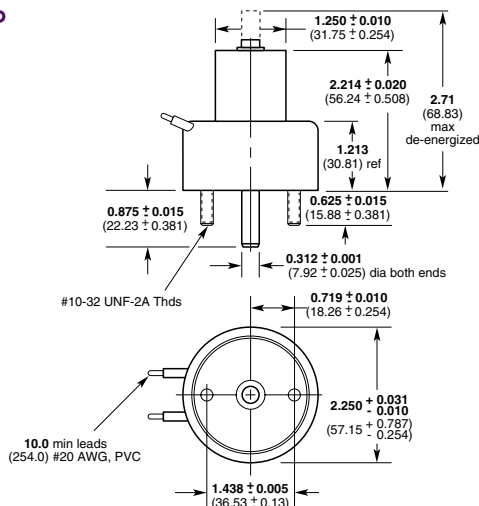
## Size 4EP



## Size 5EP



## Size 6EP



All specifications subject to change without notice.