

Soft Shift® Size 4EP

Part Number: 191993-0XX

All catalog products manufactured after April 1, 2006 are RoHS Compliant

Performance

Maximum Duty Cycle	100%	50%	25%	10%
Maximum ON Time (sec) when pulsed continuously ¹	∞	100	36	9
Maximum ON Time (sec) for single pulse ²	∞	162	44	10
Watts (@ 20°C)	12.5	25	50	125
Ampere Turns (@ 20°C)	714	1000	1425	2250

Coil Data

awg (0XX) ³	Resistance (@20°C)	# Turns ⁴	VDC (Nom)	VDC (Nom)	VDC (Nom)	VDC (Nom)
23	1.59	266	4.3	6.0	8.5	13.4
24	2.20	301	5.2	7.3	10.4	16.4
25	3.54	384	6.6	9.2	13.1	21.0
26	5.67	486	8.3	11.7	16.6	26.0
27	8.76	600	10.4	14.6	21.0	33.0
28	13.80	748	13.2	18.5	26.0	42.0
29	22.60	975	16.6	23.0	33.0	52.0
30	34.80	1190	21.0	29.0	42.0	66.0
31	56.70	1520	27.0	37.0	53.0	84.0
32	88.30	1908	33.0	46.0	66.0	104.0
33	138.00	2360	42.0	59.0	83.0	132.0

- ¹ Continuously pulsed at stated watts and duty cycle
- ² Single pulse at stated watts (with coil at ambient room temperature 20°C)
- ³ Other coil awg sizes available — please consult factory
- ⁴ Reference number of turns

Specifications

Stroke	0.300 ± 0.030 inches (7.62 ± 0.762 mm)
Dielectric Strength	1000 VRMS (23-24 awg); 1200 VRMS (25-33 awg)
Recommended Minimum Heat Sink	Maximum watts dissipated by solenoid are based on an unrestricted flow of air at 20°C, with solenoid mounted on the equivalent of an aluminum plate measuring 6¼" square by 1/8" thick
Coil Resistance	±5% tolerance on all coil awg
Spring Rate	1.41 lb/in; 0.35 lb ±30% preload reference
Weight	7 oz (198.4 gms)
Dimensions	Ø1.562" x 1.471" (See page E10)

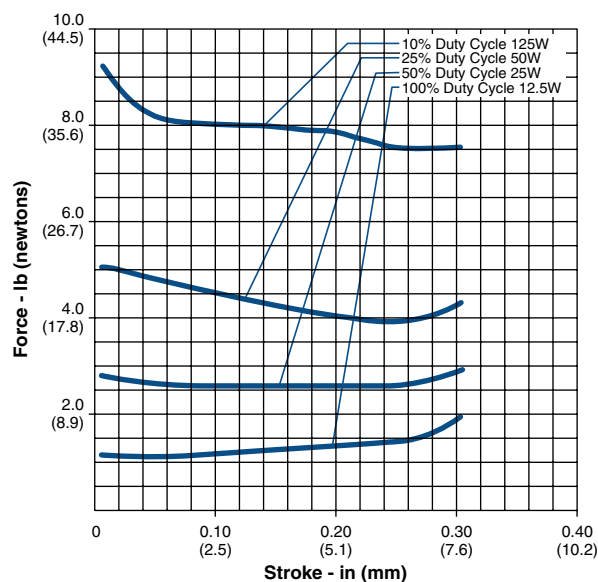
How to Order

Add the coil awg number (0XX) to the part number (for example: to order a 25% duty cycle unit rated at 21 VDC, specify 191993-027).

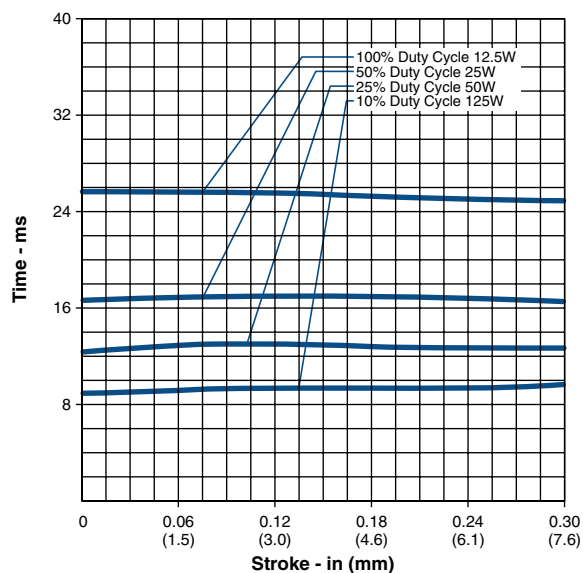
Please see www.ledex.com (click on Stock Products tab) for our list of stock products available through our North American distributors.

LINEAR Soft Shift®

Size 4EP — Typical Force @ 20°C



Size 4EP — Typical Speed @ No Load, 20°C



Force values for reference only.

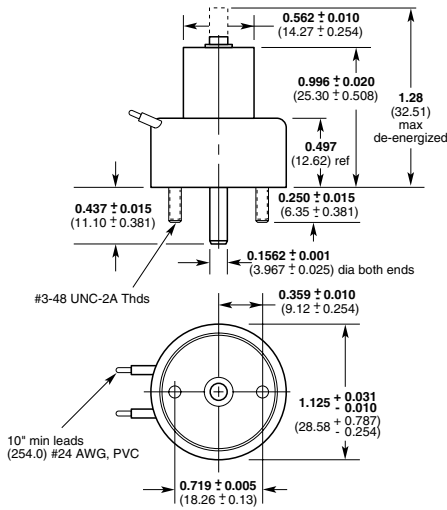
All specifications subject to change without notice.

Soft Shift® Dimensions

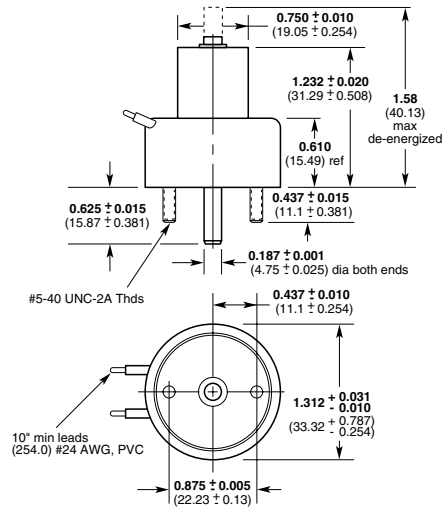
inches (mm)

All solenoids are illustrated in energized state

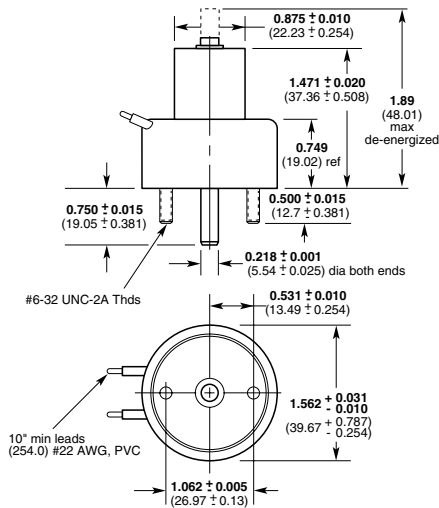
Size 2EP



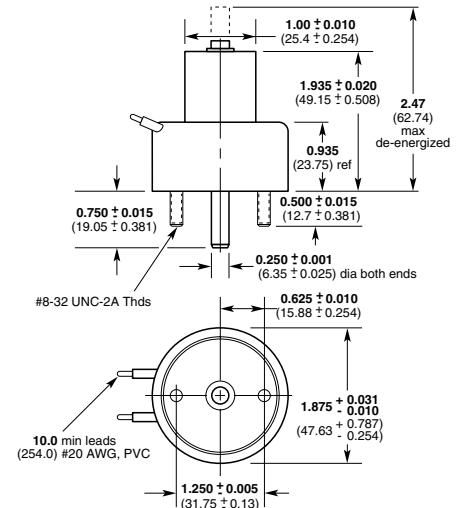
Size 3EP



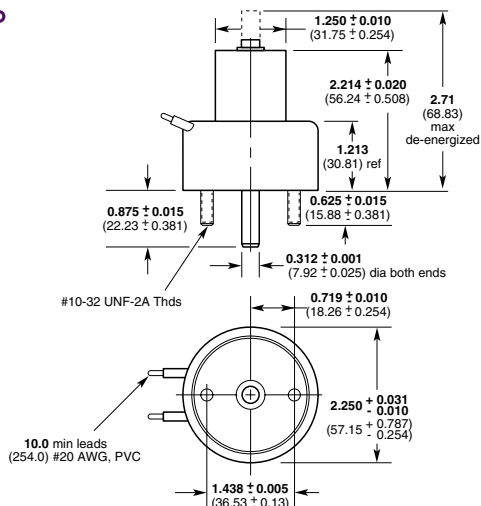
Size 4EP



Size 5EP



Size 6EP



All specifications subject to change without notice.