

Soft Shift® Size 2EP

Part Number: 191995-0XX

All catalog products manufactured after April 1, 2006 are RoHS Compliant

Performance

Maximum Duty Cycle	100%	50%	25%	10%
Maximum ON Time (sec) when pulsed continuously ¹	∞	100	36	7
Maximum ON Time (sec) for single pulse ²	∞	162	44	8
Watts (@ 20°C)	7	14	28	70
Ampere Turns (@ 20°C)	425	602	849	1350

Coil Data

awg (0XX) ³	Resistance (@20°C)	# Turns ⁴	VDC (Nom)	VDC (Nom)	VDC (Nom)	VDC (Nom)
24	0.68	130	2.2	3.2	4.5	7.1
25	1.16	174	2.8	4.0	5.7	9.0
26	1.96	231	3.6	5.1	7.2	11.5
27	3.16	296	4.5	6.4	9.0	14.4
28	5.10	378	5.7	8.1	11.5	18.2
29	6.94	423	7.0	9.9	13.9	22.0
30	11.03	530	8.8	12.5	17.7	28.0
31	16.85	649	11.0	15.6	22.0	35.0
32	28.15	858	13.9	19.8	28.0	44.0
33	42.75	1036	17.5	25.0	35.0	56.0
34	69.56	1312	23.0	32.0	45.0	72.0
35	112.00	1674	29.0	40.0	57.0	91.0

- Continuously pulsed at stated watts and duty cycle
- Single pulse at stated watts (with coil at ambient room temperature 20°C)
- Other coil awg sizes available — please consult factory
- Reference number of turns

Specifications

Stroke	0.160 ± 0.030 inches (4.06 ± 0.762 mm)
Dielectric Strength	1000 VRMS
Recommended Minimum Heat Sink	Maximum watts dissipated by solenoid are based on an unrestricted flow of air at 20°C, with solenoid mounted on the equivalent of an aluminum plate measuring 3 ^{3/8} " square by 1/8" thick
Coil Resistance	±5% tolerance on all coil awg
Spring Rate	1.09 lb/in; 0.125 lb ±30% preload reference
Weight	2.5 oz (70.9 gms)
Dimensions	Ø1.125" x 0.996" (See page E10)

How to Order

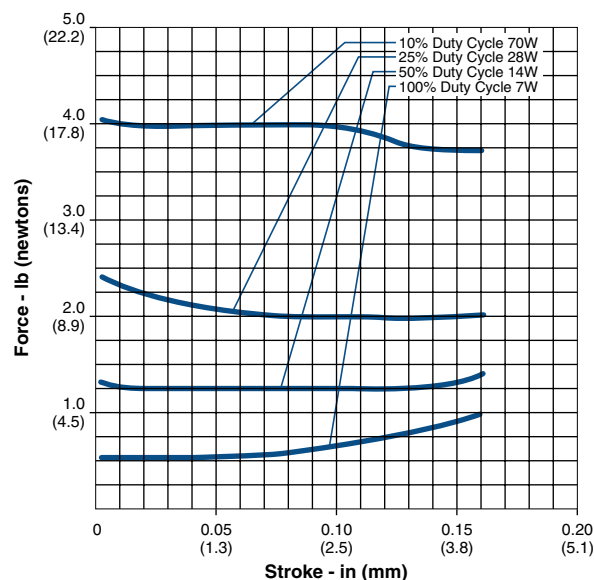
Add the coil awg number (0XX) to the part number (for example: to order a 25% duty cycle unit rated at 9 VDC, specify 191995-027).

Please see www.lex.com (click on Stock Products tab) for our list of stock products available through our North American distributors.

- Well-suited for battery operation. See the "Battery Operated Solenoids" section for complete information.

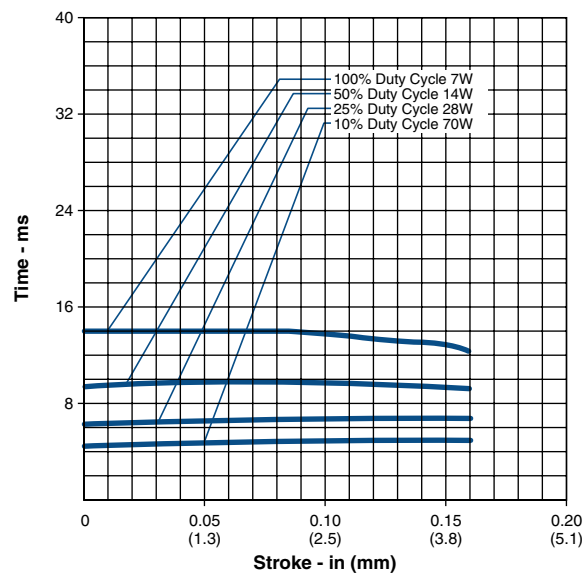


Size 2EP — Typical Force @ 20°C



Force values for reference only.

Size 2EP — Typical Speed @ No Load, 20°C



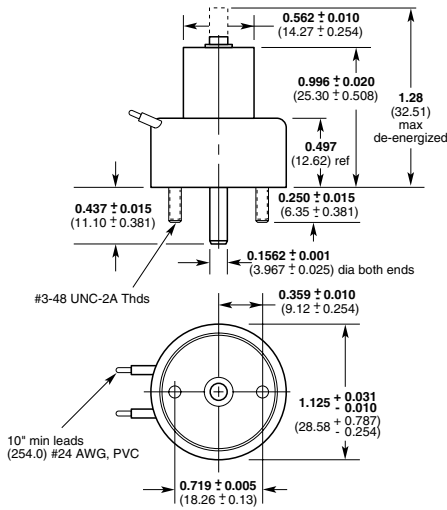
All specifications subject to change without notice.

Soft Shift® Dimensions

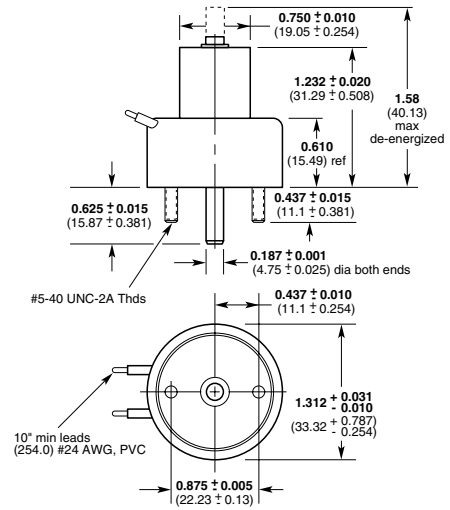
inches (mm)

All solenoids are illustrated in energized state

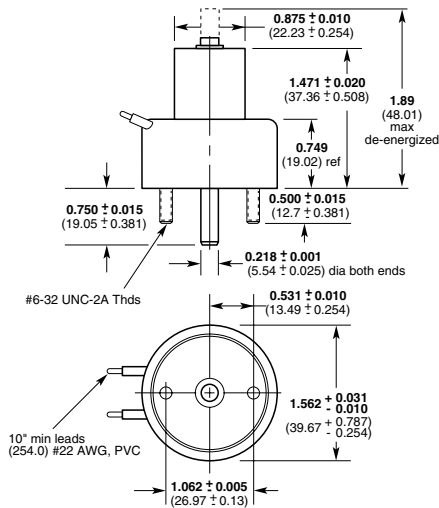
Size 2EP



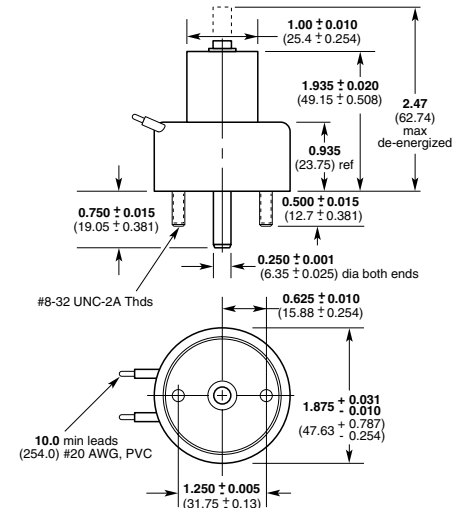
Size 3EP



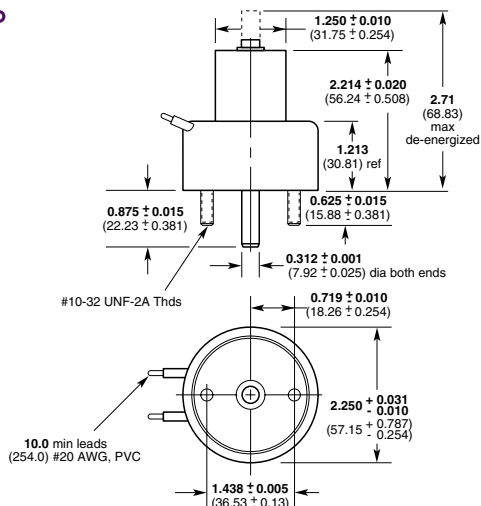
Size 4EP



Size 5EP



Size 6EP



All specifications subject to change without notice.