

BTA® Size 5EV

Part Numbers: Clockwise Rotation 190835-0XX
Counter-Clockwise Rotation 195625-0XX

All catalog products manufactured after April 1, 2006 are RoHS Compliant

ROTARY BTA®

Performance

Maximum Duty Cycle	100%	50%	25%	10%		
Maximum ON Time (sec)	∞	40	15	4		
when pulsed continuously ¹						
Maximum ON Time (sec)	∞	109	36	10		
for single pulse ²						
Typical Energize Time (msec) ³	27	18	14	10		
Watts (@ 20°C)	21	42	84	210		
Ampere Turns (@ 20°C)	621	878	1242	1964		
Coil Data						
awg (0XX) ⁴	Resistance (@20°C)	# Turns ⁵	VDC (Nom)	VDC (Nom)	VDC (Nom)	VDC (Nom)
23	1.05	128	4.7	6.6	9.4	14.8
24	2.24	213	6.9	9.7	13.7	21.7
25	3.16	240	8.1	11.5	16.3	25.8
26	4.45	270	9.7	13.7	19.3	30.6
27	8.50	404	13.4	18.9	26.7	42.2
28	11.90	452	15.8	22.3	31.6	50.0
29	21.10	630	21.0	29.7	42.1	67.0
30	29.50	705	24.9	35.2	49.8	78.7
31	50.30	948	32.5	46.0	65.0	103.0
32	82.70	1232	41.7	59.0	83.0	132.0
33	134.00	1576	53.0	75.0	106.0	168.0

Specifications

Dielectric Strength	1000 VRMS (23 awg); 1200 VRMS (24-33 awg)
Recommended Minimum Heat Sink	Maximum watts dissipated by solenoid are based on an unrestricted flow of air at 20°C, with solenoid mounted on the equivalent of an aluminum plate measuring 7-1/2" square by 1/8" thick
Thermal Resistance	5.36 (°C/watt)
Rotor Inertia	30.36 (gm-cm ²)
Weight	13.5 oz (382 gms)
Dimensions	Ø1.937" x 1.265" (See page C10)

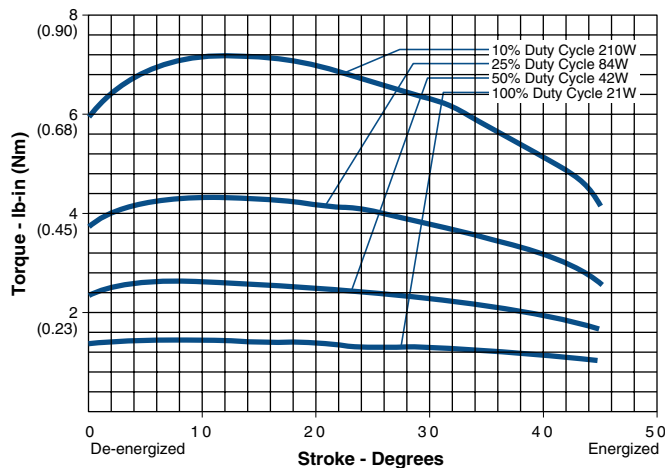
How to Order

Add the coil awg number (0XX) to the part number (for example: to order a 25% duty cycle clockwise rotation unit rated at 26.7 VDC, specify 190835-027).

Please see www.ledex.com (click on Stock Products tab) for our list of stock products available through our North American distributors.

- ¹ Continuously pulsed at stated watts and duty cycle
- ² Single pulse at stated watts (with coil at ambient room temperature 20°C)
- ³ Typical energize time based on a 5.0 oz-in torque load including 14 gm-cm² of inertia
- ⁴ Other coil awg sizes available — please consult factory
- ⁵ Reference number of turns

Size 5EV — Typical Torque @ 20°C



Notes:

- Torque curves shown are without spring.
- Typical standard spring has a torque of 4.0 oz-in.
- Torque values are for reference only.

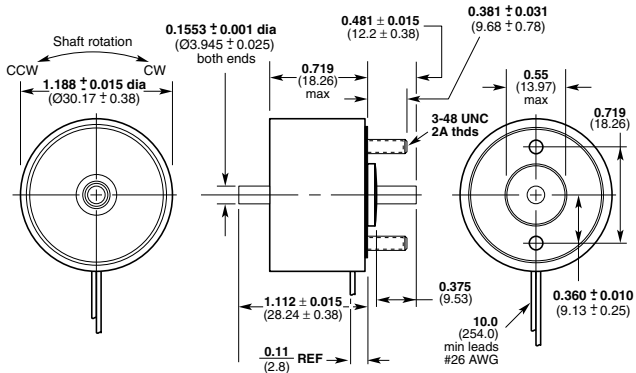
All specifications subject to change without notice.

BTA® Dimensions

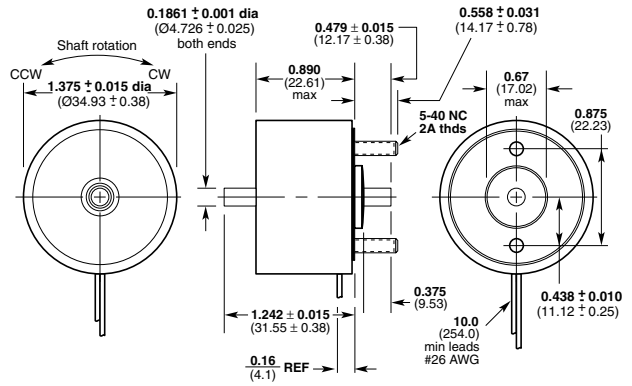
inches (mm)

ROTARY BTA®

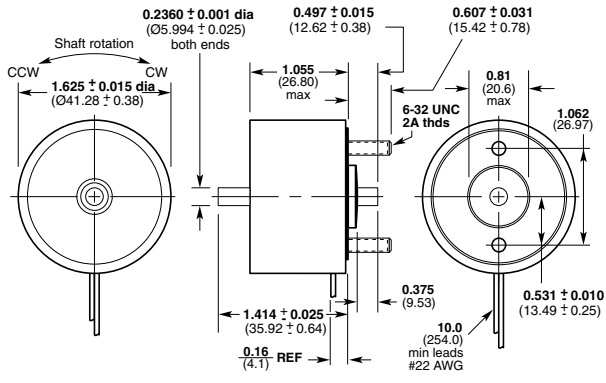
Size 2EV



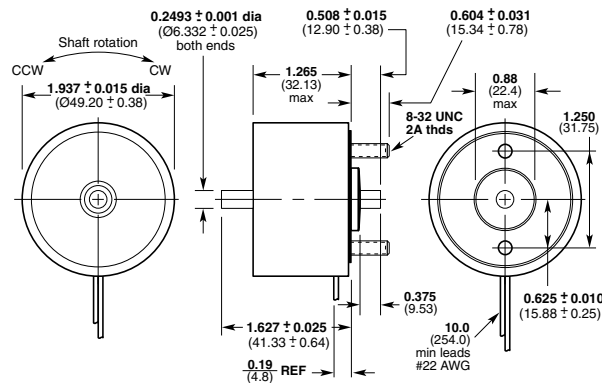
Size 3EV



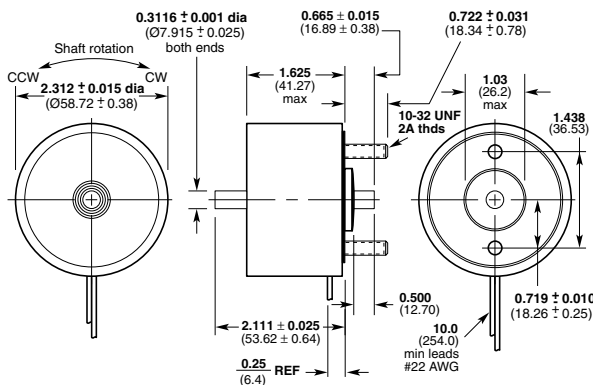
Size 4EV



Size 5EV



Size 6EV



All specifications subject to change without notice.