

F4

F4

Characteristics	<ul style="list-style-type: none"> ■ small size ■ long mechanical and electrical life ■ solder ■ 2 mm faston ■ PCB terminals
Rating	250 VAC, 5 A
Dimensions (mm)	12.8 × 10 × 5
Actuator	<ul style="list-style-type: none"> ■ plunger ■ plain lever ■ simulated roller lever/cam follower
Approvals	UL, CSA



Ultraminiature

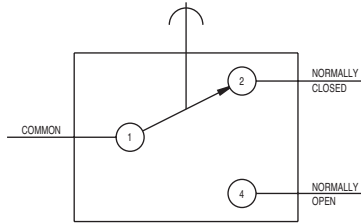
Preferred Range

Ordering Reference	Actuating Force (N) (ozf)		Sealing	Operating pos. (mm) (in)		Terminal	Circuit	Actuator	Contacts	Electrical rating
F4T7UL	1.4	5.00	IP40	8.1	0.32	Solder	C0	Plunger	Ag	Up to 250 VAC, 5 A
F4T7GPUL	1.4	5.00	IP40	8.1	0.32	Solder	C0	Plunger	Gold plate	Up to 250 VAC, 5 A
F4T7Y1UL	0.6	2.20	IP40	8.2	0.32	Solder	C0	Plain lever	Ag	Up to 250 VAC, 5 A
F4T7Y1GPUL	0.6	2.20	IP40	8.2	0.32	Solder	C0	Plain lever	Gold plate	Up to 250 VAC, 5 A
F4T7YCUL	0.7	2.50	IP40	10.3	0.41	Solder	C0	Simulated roller	Ag	Up to 250 VAC, 5 A
F4T7YCGPUL	0.7	2.50	IP40	10.3	0.41	Solder	C0	Simulated roller	Gold plate	Up to 250 VAC, 5 A

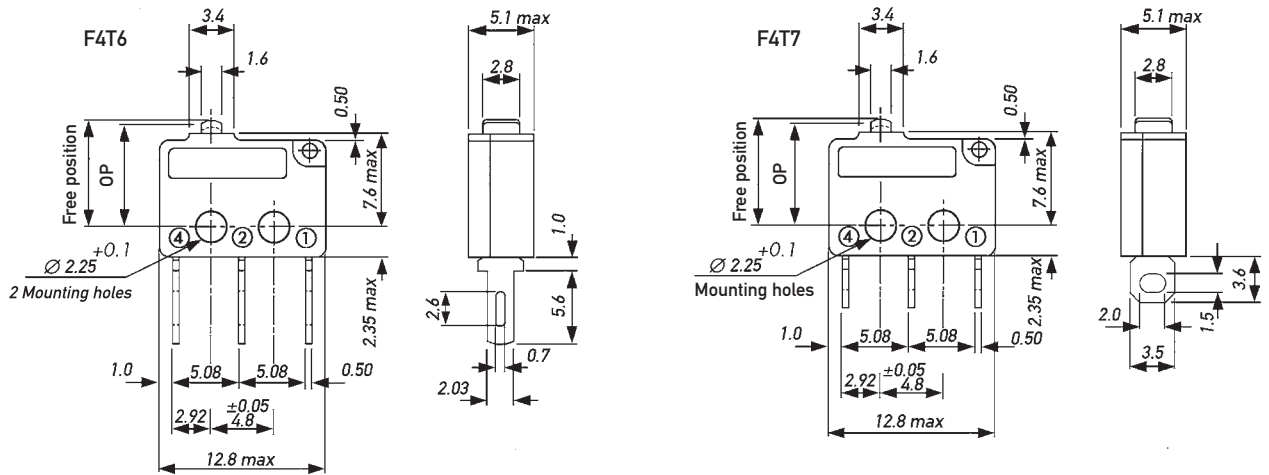
Specifications

Housing	Glass fibre reinforced nylon
Plunger	Nylon
Mechanism	Snap-action, single pole
Functions	Change-over, Normally open, Normally closed
Contacts	Fixed, Moving – Ag or Gold plate on Ag
Terminals	2.0 mm (0.08 in) faston and solder - brass, gold flashed
Temperature range °C	-40°C to +85°C
Mechanical life	10 ⁷ cycles minimum (impact free actuation)
Protection	IP 40 (enclosure)
Mounting	Side mounting
Actuators	Plain lever; simulated roller (cam follower) lever
Accessories	Lug mounting frame, insulating sheet, spring-leaf actuator

Circuit diagram



Dimensions



Recommended maximum electrical ratings

Voltage (max)	Load (A)	Approval
250 VAC	5 (0.75 pf)	UL 1054/CSA 22.2 No. 55 - 6,000 operations
125 VAC	5 (0.75 pf)	UL 1054/CSA 22.2 No. 55 - 6,000 operations
0 - 15 VDC	5	General rating - 50,000 operations
15 - 30 VDC	3	General rating - 50,000 operations

Operating Characteristics

Actuator	Reference	Actuating Force Maximum		Release Force Minimum		Free Position Maximum		Operating Position		Movement Differential Maximum		Over travel		
		(N)	(ozf)	(N)	(ozf)	(mm)	(in)	(mm)	(in)	(mm)	(in)			
Plunger	F4T6 F4T7	1.4	5.00	0.25	0.90	8.8	0.35	8.1	+0.3 -0.2	0.32	+0.01 -0.008	0.13	0.005	*
Y1-Lever	F4T6Y1 F4T7Y1	0.6	2.20	0.07	0.25	10.0	0.39	8.2	+1.0 -0.7	0.32	+0.04 -0.03	0.70	0.030	*
Width of lever 3.0 mm/0.12 in														
YC-Lever	F4T6YC F4T7YC	0.7	2.50	0.09	0.32	11.7	0.46	10.3	+0.8 -0.55	0.41	+0.03 -0.02	0.45	0.020	*
Width of lever 3.0 mm/0.12 in														

Operating characteristics are specified from the mounting holes.

* Plunger can be depressed flush with housing. The housing should not be used as an end stop.

Ordering Reference

Basic type	F4	Example: F4 T6 C2 Y1 GP UL					
Terminals	T6	Faston	2.03 × 0.5 × 6.6 long				
	T7	Solder	3.50 × 0.5 × 3.6 long				
	T8	PCB	0.8 × 0.5 × 4.0 long				
Circuit	No symbol	change-over					
	C2	Normally closed					
	C4	Normally open					
Actuators	No symbol	without lever					
	Y1	Plain lever 21.0 mm					
	YC	Cam follower lever 16.9 mm					
Contacts Material	No symbol	Ag					
	GP	Gold plate on Ag (GP)					
Approvals	No symbol	without approval					
	UL	UL and CSA approval					
Special Features	/	Burgess specialise in customer specific solutions. Additional product variants are available or can be provided. If your requirements cannot be satisfied from the options listed, please contact www.saia-burgess.com or your local SB outlet.					