

# F1

## F1



- Characteristics
- small size
  - high current
  - long mechanical life
  - PCB mounting

Rating 250 VAC, 5 A

Dimensions (mm) 16 × 6 × 6.5

- Actuator
- plunger
  - plain lever
  - simulated roller lever/cam follower

Approvals UL, CSA

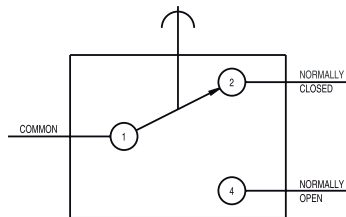
## Preferred Range

Ordering Reference	Actuating Force (N)	Actuating Force (ozf)	Sealing	Operating pos. (mm)	Operating pos. (in)	Terminal	Circuit	Actuator	Contacts	Electrical rating
F1T8GPUL	1.4	5.00	IP40	6.35	0.25	PCB	CO	Plunger	Gold plate	Up to 250 VAC, 5 A
F1T8Y1GPUL	0.5	1.8	IP40	8.5	0.33	PCB	CO	Lever	Gold plate	Up to 250 VAC, 5 A

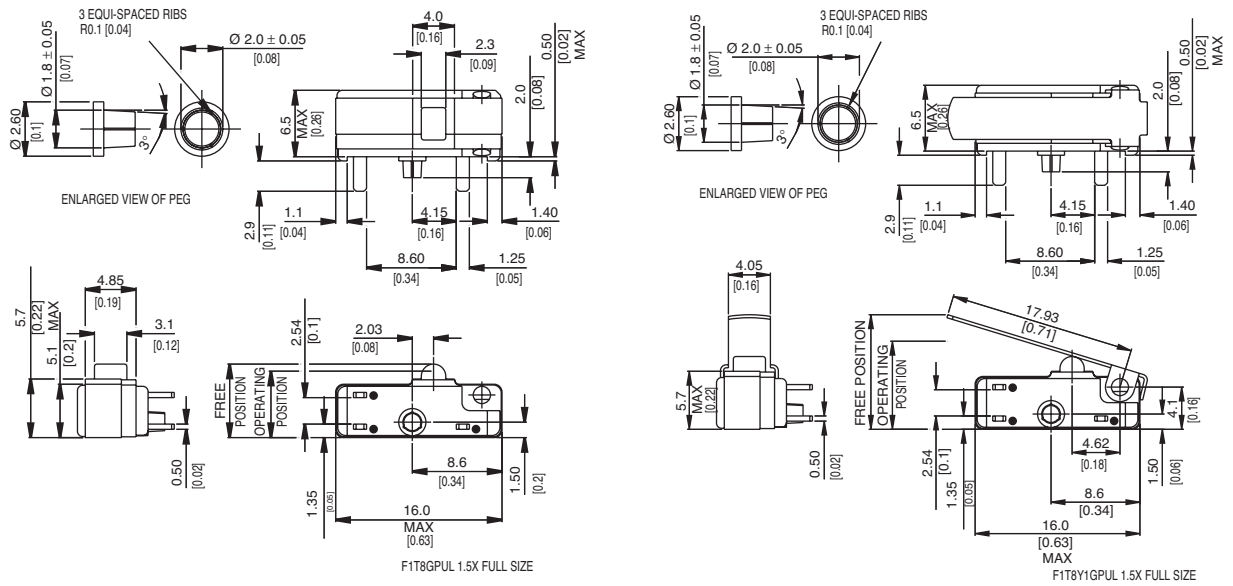
## Specifications

Housing	Glass fibre reinforced nylon
Plunger	Nylon
Mechanism	Snap-action, coil spring mechanism with stainless steel spring
Functions	Single pole change-over
Contacts	Gold plate on silver
Terminals	PCB - copper, gold-flashed
Temperature range °C	-40°C to +85°C
Mechanical life	10 <sup>6</sup> cycles minimum (impact-free actuation)
Protection	IP40 (enclosure)
Mounting	Side mount PCB with locating pin on housing
Actuators	Plain plunger, straight lever

Circuit diagram



## Dimensions



## Recommended maximum electrical ratings

Voltage (max)	Resistive load (A)	Inductive load	Approval
250 VAC	5 (0.75 pf)	5	UL 1054/CSA 22.2 No. 55 - 6,000 operations
0 - 15 VDC	5		General rating - 50,000 operations
15 - 30 VDC	10	10	General rating - 50,000 operations

## Operating Characteristics

Actuator	Reference	Actuating Force		Release Force		Free Position		Operating Position		Movement Differential		Over Travel	
		Maximum (N)	(ozf)	Minimum (N)	(ozf)	Maximum (mm)	(in)	(mm)	(in)	Maximum (mm)	(in)	(mm)	(in)
Plunger	F1T8GPUL	1.4	5.00	0.28	1.00	7.1	0.28	6.35 ± 0.38	0.25 ± 0.015	0.1	0.004	*	
Straight lever	F1T8Y1GPUL	0.5	1.8	0.06	0.022	11.0	0.43	8.5 ± 1.5	0.33 ± 0.06	0.5	0.02	*	

Width of lever 4.05 mm/0.16 in

\* Plunger can be depressed flush with housing. The housing should not be used as an end stop.

## Ordering Reference

Basic type	F1	Example: F1   T8   Y1   GP   UL			
Terminals	T8	PCB	1,25 × 0,5 × 2,9 long		
Actuators	Y1	No symbol, without lever			
	YR1	Plain lever 21.0 mm			
		Roller lever 16.0 mm			
Contacts Material	GP	No symbol, Ag			
		Gold plate on Ag (GP)			
Approvals	UL	No symbol, without approval			
		UL and CSA approval			
Special Features	/ <input type="checkbox"/> <input type="checkbox"/> <input type="checkbox"/> <input type="checkbox"/>	Burgess specialise in customer specific solutions. Additional product variants are available or can be provided. If your requirements cannot be satisfied from the options listed, please contact <a href="http://www.saia-burgess.com">www.saia-burgess.com</a> or your local SB outlet.			