

Miniature Micro Switch

New V3NS Series: More stability and twice the endurance

Functional Advantages

- 250 VAC, 6A
- Electrical Endurance – 200,000 operations minimum (2X industry standard)
- Range of internally fitted levers – offers more stability than traditional types
- 3 connection systems – prewired, 6.8 mm or 4.8 mm faston terminals

Features & Benefits

- Robust construction
- Compact: 33 x 10.4 x 15.9 mm
- Sealed to IP67 of IEC protective construction classification (enclosure)
- Conforms to glow wire test EN60335
- Approvals: UL1054, IEC61058-1, CSA C22.2.55

Markets/Applications

Medical

- Dental equipment
- Hospital bed
- Mobility aids
- Sterilizing medical tools
- Wheelchairs

Building Automation & Security

- Alarm devices
- Blinds
- Door opener
- Elevator/Lift
- Escalator
- Garage door opener
- Gate, vehicle entrance
- Locks
- Home security
- Surveillance camera

Leisure & Fitness

- All terrain vehicle
- Aquarium products
- Go-cart
- Golf cart
- Golf trolley
- Jet ski
- Mini bike
- Motor bike
- Outboard marine
- Recreation vehicles
- Snowmobile

Material Handling

- Conveyor
- Forklift

Transportation

- Agricultural and forestry equipment
- Crawler truck
- Mining equipment
- Public transportation
- Specialty vehicle
- Tractor
- Train



Characteristics

- Sealed IP67
- Robust construction
- Pre-wired option
- Faston terminals

Actuators

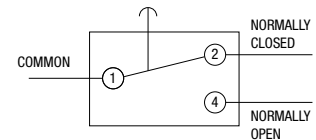
- Plunger
- Plain lever
- Roller lever
- Cam follower lever

Approvals/Quality

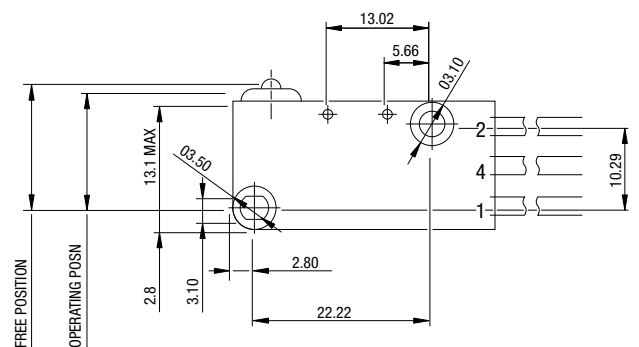
- ENEC
- UL
- CSA

Electrical Data

250 VAC, 6 A



Dimensions (mm)



Ordering Reference

Stock Number	Terminal	Actuator	Electrical Rating Recommended @
V3NSUL	prewired	plunger	Up to 250 VAC, 6A
V3NSY1UL	prewired	plain lever	Up to 250 VAC, 6A
V3NSYRUL	prewired	roller lever - short	Up to 250 VAC, 6A
V3NSYR1UL	prewired	roller lever - long	Up to 250 VAC, 6A
V3NSYCUL	prewired	cam follower lever	Up to 250 VAC, 6A
V3NST1UL	Faston, 6.4 x 0.8	plunger	Up to 250 VAC, 6A
V3NST1Y1UL	Faston, 6.4 x 0.8	plain lever	Up to 250 VAC, 6A
V3NST1YRUL	Faston, 6.4 x 0.8	roller lever - short	Up to 250 VAC, 6A
V3NST1YR1UL	Faston, 6.4 x 0.8	roller lever - long	Up to 250 VAC, 6A
V3NST1YCUL	Faston, 6.4 x 0.8	cam follower lever	Up to 250 VAC, 6A
V3NST3UL	Faston, 4.8 x 0.5	plunger	Up to 250 VAC, 6A
V3NST3Y1UL	Faston, 4.8 x 0.5	plain lever	Up to 250 VAC, 6A
V3NST3YRUL	Faston, 4.8 x 0.5	roller lever - short	Up to 250 VAC, 6A
V3NST3YR1UL	Faston, 4.8 x 0.5	roller lever - long	Up to 250 VAC, 6A
V3NST3YCUL	Faston, 4.8 x 0.5	cam follower lever	Up to 250 VAC, 6A

Johnson Electric offers an array of leading product brands and capabilities that span tooling and molds, micromotors, solenoids, actuators, precision gears, precision plastics, flexible circuits, switches and sensors.

- 50 years in electromechanical systems with a history in financial strength and long-term relationships with customers and supply chain partners
- Global operations that provide local design, sales and support to customers 24/7
- High volume production lines
- Modular designs enabling simple, cost-effective modifications and subassembly solutions
- Customer-specific solutions-oriented with a high degree of flexibility
- Experienced teams of design and production engineers
- Excellent customer service and delivery performance with our technical design advantage
- Proven and reliable technology with an application focus that enables Johnson Electric to create best in class solutions
- Constantly leverage the benefits of scale and speed to ensure first mover advantage to our customers
- Unrelenting commitment to project success and to the ultimate attainment of zero defects in all areas of our business
- Robust project management process to ensure that collaboration with customers yields the fastest time to market



Component Production – Vertical Integration

- Microcomponents
- Precision plastics
- Metal machining
- Metal stamping
- Magnets
- Flexi-circuits
- Gears
- Piezo-ceramic
- Die-casting
- Sintered metal
- Over-molding
- Coil winding

Device Assembly – Manufacturing Excellence

- 40,000 employees and subcontract workers worldwide
- Capacity greater than 4 million products produced every day
- High degree of vertical integration: in-house components and equipment

Supply Chain – Assurance of Supply

- Extensive global supplier with quality organization
- Supply chain integration with customers' existing manufacturing system

Component Design – Tooling & Prototypes

- Micro-component capability
- Vertical integration
- Finite element analysis, structural magnetic, computational fluid dynamics
- Rapid prototyping: SLS Technology Plastics: SLA Technology Parts: KelTool Technology Parts, Vacuum Casing Technology Parts