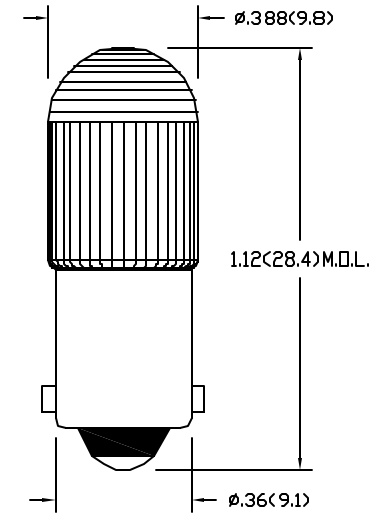
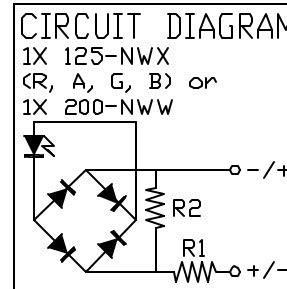


DATA DISPLAY PRODUCTS (DDP) PROPRIETARY INFORMATION. DO NOT REPRODUCE, COPY, OR USE WITHOUT EXPRESS WRITTEN PERMISSION. COPYRIGHT DATA DISPLAY PRODUCTS.

REV.	DATE	BY	DESCRIPTION	503031
B	020911	LC	CHANGE R, A 3CL1 TO 1CL1	

ELECTRO-OPTICAL CHARACTERISTICS @ T_a = 25°C

SYM	PARAMETER	X = LED COLOR					UNIT
		RED	AMBER	GREEN	BLUE	WHITE	
I _v	TYP. LUMINOUS INTENSITY PER LED W/O LENS @ I _f =20mA	2180	2180	1000	300	1100	mcd
V _o	OPERATING VOLTAGE	120	120	120	120	120	VAC
I _f	TYP. FORWARD CURRENT @ V _f =120VAC	7.1~7.3		3.7~3.8			mA
I _{mx}	MAX. FORWARD CURRENT @ V _f =130VAC	8.0	8.0	4.2	4.2	4.2	mA
V _{br}	REVERSE BREAKDOWN @ I _r =100uA	-	-	-	-	-	V
λ _{pk}	PEAK WAVELENGTH	634	592	520	465	-	nm
λ _D	DOMINANT WAVELENGTH	629	590	525	470	-	nm



ABSOLUTE MAX. RATINGS T_a=25°C

PARAMETER	VALUE		UNIT
	R & A, G, B & W		
POWER DISSIPATION	1040	546	mW
DERATE/°C >T _a	15.6	8.2	mW
OPERATING VOLTAGE	130	130	VAC
OPERATING TEMPERATURE	-40<+100	-30<+85	°C
STORAGE TEMPERATURE	-40<+100	-40<+100	°C

REMARKS:

- Dimensions are in Inches(mm).
- The lens is clear-tinted with a fresnel pattern.
- This device is immune to peak noise current of 1mA.
- Caution: GaInN LEDs are class 1 ESD sensitive (MIL-STD-1686). Exceeding absolute maximum ratings may cause damage to, or possibly result in catastrophic failure of these devices. Use appropriate ESD precautions during handling and operation.
- For white LED chromaticity coordinate range, see drawing #502590.

Data Display Products			
445 S. DOUGLAS ST., EL SEGUNDO, CA. 90245 (310)640-0442 FAX: (310)640-7639			
DATE: 010802	DWN BY: LC	CHK'D BY:	APPRV'D BY:
LAST REV. DATE: 020911	REV LEVEL: B	MATERIAL: -	
TITLE: 120MBLS-X-CX			
SCALE: NONE	TOL: ± .025(.63)	.XX(X) .XXX(.XX) ANG.:	DWG NUMBER: 503031