

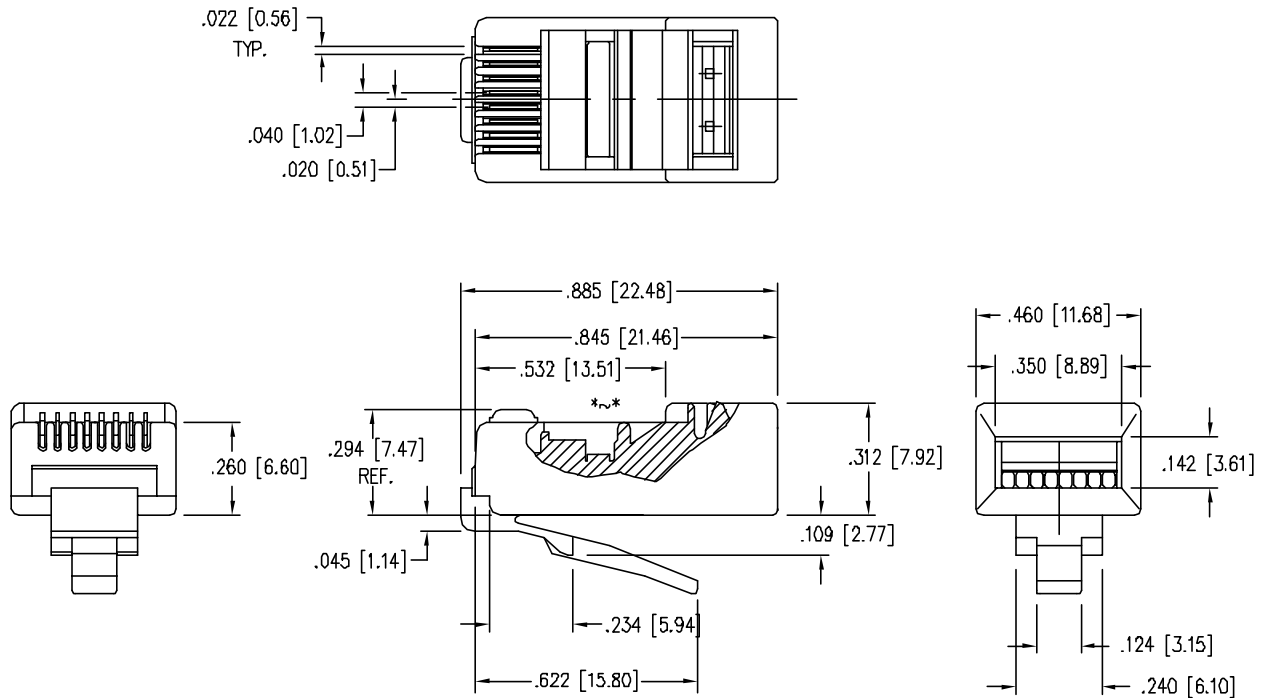
Sentinel Connector Systems Inc.

1953 Stanton Street

York, Pa. 17404

PART NO.: 109-080840-24

- * EIGHT CONDUCTOR MODULAR PLUG
- * FOR CONDUCTORS WITH MAXIMUM O.D. OF .038
- * FOR SOLID WIRE APPLICATIONS
- * USES .014 CONTACT MATERIAL
- *~* SPECIAL CONDUCTOR BAR AND LATCH LOCKS



SPECIFICATIONS :

CONTACT MATERIAL:	PHOSPHOR BRONZE .014 THICK MATERIAL
CONTACT PLATING:	50 MICRO-INCH SELECTIVE GOLD PLATE IN CONTACT AREA OVER 100 MICRO-INCH MINIMUM NICKEL PLATING. OTHER PLATING THICKNESSES AVAILABLE.
PLUG MATERIAL:	POLYCARBONATE
PLUG TOLERANCES AND DIMENSIONS:	COMPLIES WITH F.C.C REQUIREMENTS
UL FLAMABILITY RATING:	94-V0 - File# E188111
OPERATION TEMPERATURE:	-40°C TO +70°C
INSERTION/EXTRACTION LIFE:	1000 CYCLES
CONTACT RESISTANCE:	10 MILLOHMS MAX.
CURRENT/VOLTAGE:	30 VAC/42 VDC AT 1.5 AMPS

PRODUCT LINE — SIZE — OPENING — FUTURE

PART NO. = 109-080840-24XX

SERIES — # CONTACTS — KEY — CONTACT/PLATING