

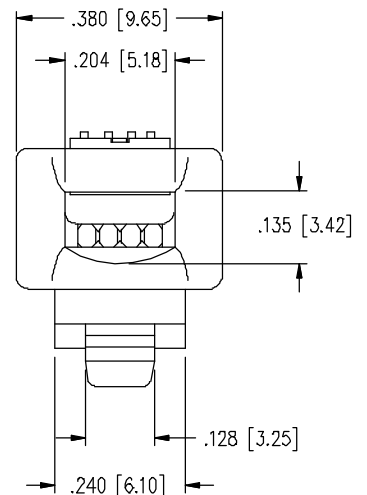
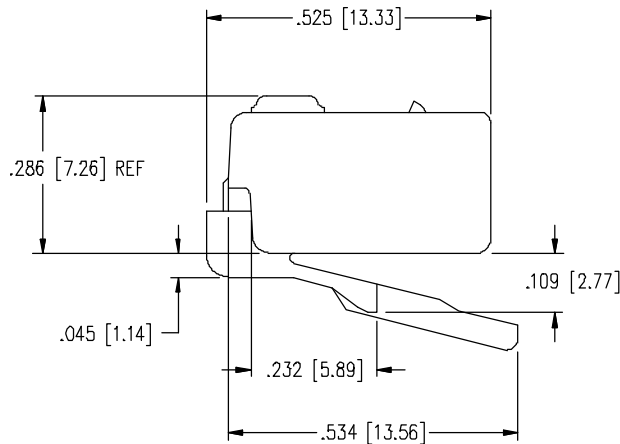
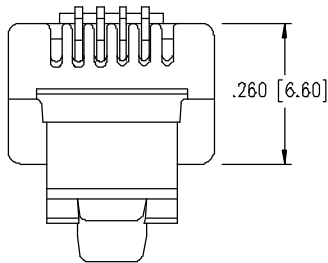
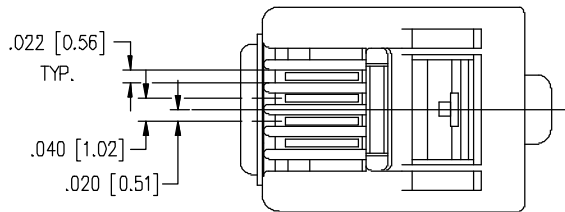
# Sentinel Connector Systems Inc.

1953 Stanton Street

York, Pa. 17404

PART NO.: 101-040610-14

- \* FOUR CONDUCTOR SIX POSITION MODULAR PLUG
- \* FOR CONDUCTORS WITH MAXIMUM O.D. OF .038
- \* RADIUSED OPENING FOR ROUND CABLE
- \* FOR STRANDED WIRE APPLICATIONS
- \* USES .012 THICK CONTACT



SPECIFICATIONS :

CONTACT MATERIAL:	PHOSPHOR BRONZE - .012 THK
CONTACT PLATING:	50 MICRO-INCH SELECTIVE GOLD PLATE IN CONTACT AREA OVER 100 MICRO-INCH MINIMUM NICKEL PLATING. OTHER PLATING THICKNESSES AVAILABLE.
PLUG MATERIAL:	POLYCARBONATE
PLUG TOLERANCES AND DIMENSIONS:	COMPLIES WITH F.C.C REQUIREMENTS
UL FLAMABILITY RATING:	94-V0 - File# E188111
OPERATION TEMPERATURE:	-40 C TO +70 C
INSERTION/EXTRACTION LIFE:	1000 CYCLES
CONTACT RESISTANCE:	10 MILLOHMS MAX.
CURRENT/VOLTAGE:	30 VAC/42 VDC AT 1.5 AMPS

