

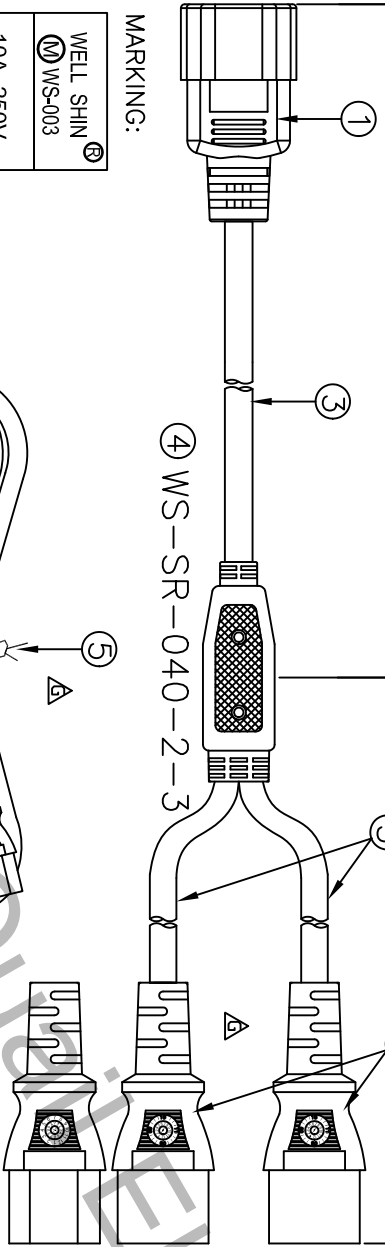
RoHS (2002/95/EC) COMPLIANT

CUSTOMER: P/N: 0201.120 REV. APPROVED BY:

3050±50

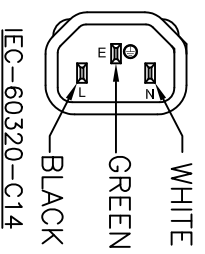
2440±30

610±20



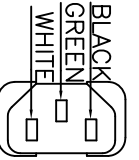
MARKING:

WELL SHIN
WS-003
10A 250V~
E115330



MARKING:

WELL SHIN
WS-002
10A 250V~
E115330



REVISIONS	
REV.	DATE
△	06.12.03
△	04.03.31
△	05.09.15
△	07.04.12
△	09.07.14
△	2010.10.15
△	NOTE 1
△	2012/01/18

NOTES:

1. "F"
2. ROHS marking must be placed on the exterior of the carton.

ITEM	DESCRIPTION	COLOR	Q'TY
⑤	CABLE TIE	BLACK	1
④	WS-SR-040-2-3	BLACK	1
③	SJTW 18AWG 3C 105°C	BLACK	3
②	WS-002 10(A) 250(V)	BLACK	2
①	WS-003 10(A) 250(V)	BLACK	1

MARKING: (M) FDR DONG-GUAN PLANT, (K) FDR KUN-SHAN PLANT

QUAIL ELECTRONICS, INC.
http://www.quail.com

PRODUCT NO: 003+002-1*2 DATE: 2012/01/18
UNIT: mm SHEET: 1 OF 1

DWG NO: 0096-0281 REV. G

THE INFORMATION CONTAINED HEREIN IS PROPRIETARY TO QUAL ELECTRONICS, INC. ANY USE OR DISCLOSURE OF THIS INFORMATION, EXCEPT FOR THE EXCLUSIVE BENEFIT OF QUAL ELECTRONICS, INC. IS PROHIBITED.