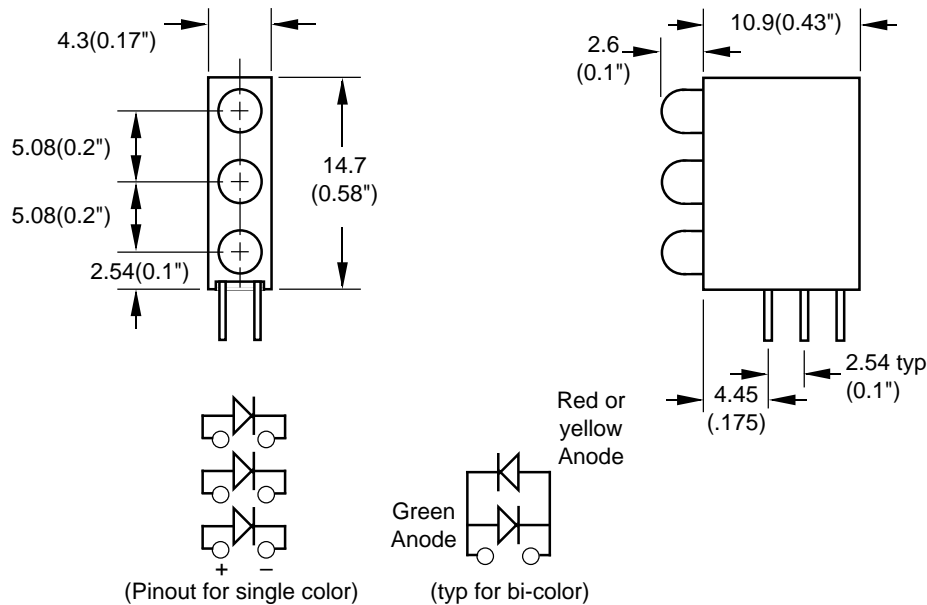


# T-1, (3-mm) Round, Tri-level PCB Mount LED Indicator, G183B Series

www.ledidea.com



The G183B is a right-angle view assembly of 3 T-1 LEDs arranged in a column. This indicator array is designed to be a more compact replacement part for similar units on the market. Recommended pitch is 4.4 mm(0.173") when a large number of units are placed side-by-side. This series can also be supplied with pinout reversed from that shown by adding "RL" to the order code of the part number.



RoHS Compliant  
Aug 2004

Specify part desired as follows:

G183B/Order Code LED1 + Order Code LED 2 + Order Code LED 3

For example: "G183B/H+Y+G" designates red LED on top, yellow LED in the middle and green LED on the bottom.

"G183B/(H+Y+G)-RL" designates the same assembly with all leads reversed

## ORDER CODE AND INFORMATION (ALL RATINGS AT 25°C AMBIENT)

LED Lamp			Typical Characteristics				Recom. Op. If (mA)
Epoxy & Type	Color	Order Code	Peak $\lambda$ (nm)	Vf (V) @ If=20mA	Iv (mcd) @ If=10mA	$2\theta_{1/2}$ (Deg)	
Tinted Diffused Resistor Required	Hi Eff Red	I	635	2.0	10	60	10-20
	Green	G	565	2.1	10	60	10-20
	Yellow	Y	585	2.0	10	60	10-20
	Orange	O	610	2.0	10	60	10-20
Tinted Transparent High Brightness	Hi Eff Red	IT	635	2.0	40	40	10-20
	Green	GT	565	2.1	40	40	10-20
	Yellow	YT	585	2.0	40	40	10-20
Tinted Diffused For 2mA Operation	Hi Eff Red	I2	635	2.0	1.0 @ 2mA	60	2-10
	Green	G2	565	2.1	1.0 @ 2mA	60	2-10
	Yellow	Y2	585	2.0	1.0 @ 2mA	60	2-10
Tinted Diffused 5V Operation	Hi Eff Red	I5	635	-	10	60	5 V
	Green	G5	565	-	10	60	5 V
	Yellow	Y5	585	-	10	60	5 V
White Diffused Bipolar, Bicolor	Red/Green	EG	635/565	2.0/2.1	4 / 4	90	10-20
	Yellow/Green	YG	585/565	2.0/2.1	4 / 4	90	10-20
	Red/Yellow	EY	635/585	2.0/2.0	4 / 4	90	10-20

\* Specifications subject to change without notice. Dimensions are in mm±0.25 unless stated otherwise.

IDEA, Inc., 1351 Titan Way, Brea, CA 92821 Ph:714-525-3302, 800-LED-IDEA; Fax: 714-525-3304 2005G