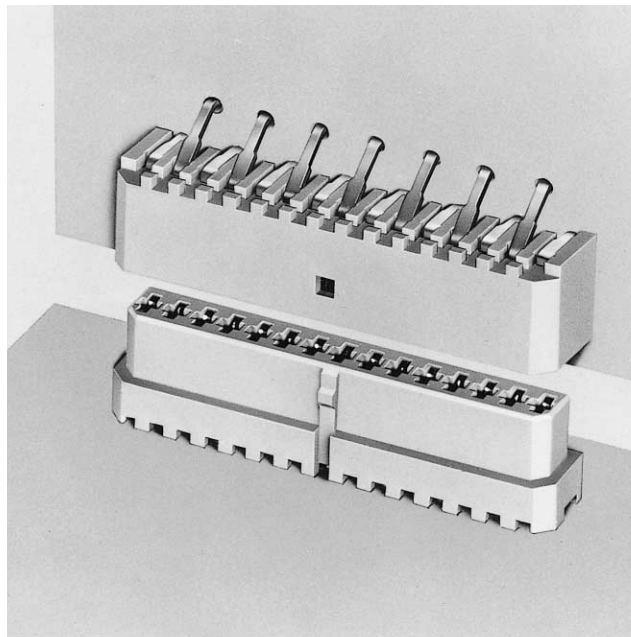
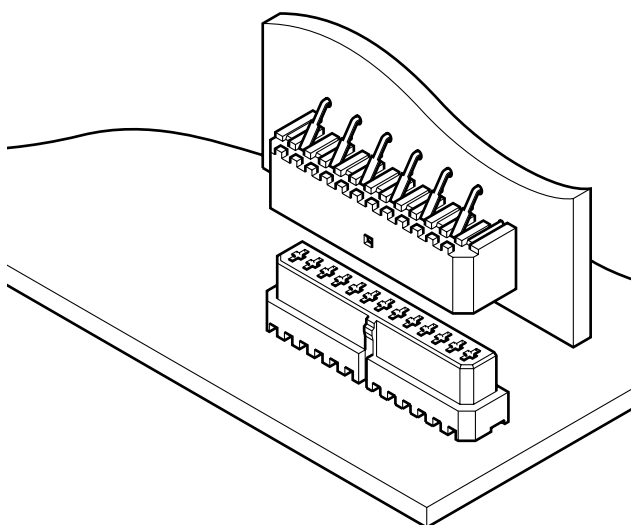


JE CONNECTOR

Board-to-board connectors



The JE connector is a compact, high-density, board-to-board connector only 6.8mm (.268") high and 3.6mm (.142") wide. Its mating part has a 1.25mm (.049") pitch, single row construction. High contact pressure dual beam fork contacts are combined with a housing lock mechanism to ensure a reliable connection.



Features

• A compact high-density design to meet today's needs

The mating part has a 1.25mm (.049") pitch, single row construction. To meet the needs for high-density design, this compact, low-profile connector is only 6.8mm (.268") high and 3.6mm (.142") wide when mounted on the printed circuit board - roughly 40 percent smaller than our second smallest 2.0mm (.079") pitch model.

• Secure locking and reliable connection

This connector features a high pressure, dual beam, fork contact. The secure housing lock ensure a highly reliable connection even under the severest environmental conditions.

• Box shaped housing

Box-shaped housing prevents misinsertion. The plug fits securely into the mating receptacle for greater resistance to vibration.

• Easy mounting and no flux problems

The contact solder tails can be easily clinched. This allows efficient, secure mounting onto printed circuit boards. The bottom of the connector housing is designed to prevent flux from adhering.

Specifications

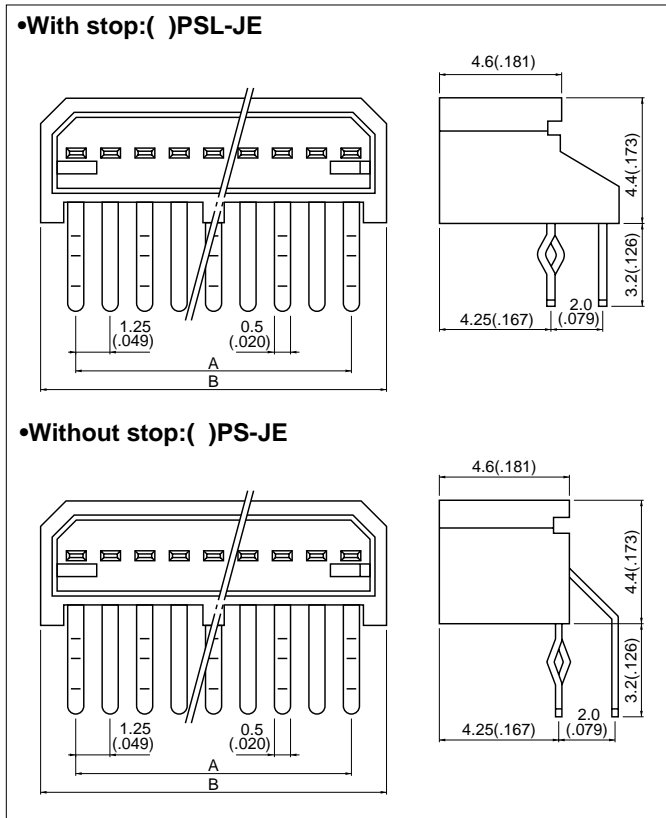
- Current rating: 1.0A AC, DC
- Voltage rating: 50V AC, DC
- Temperature range: -25°C to +85°C
(including temperature rise in applying electrical current)
- Contact resistance: Initial value/20m Ω max.
After environmental testing/40m Ω max.
- Insulation resistance: 500M Ω min.
- Withstanding voltage: 500V AC/minute
- Applicable PC board thickness: 1.6mm(.063")
- * Contact JST if Lead-Free product is required.
- * Refer to "General Instruction and Notice when using Terminals and Connectors" at the end of this catalog.
- * Contact JST for details.

Standards

Recognized E60389

Certified LR20812

Plug

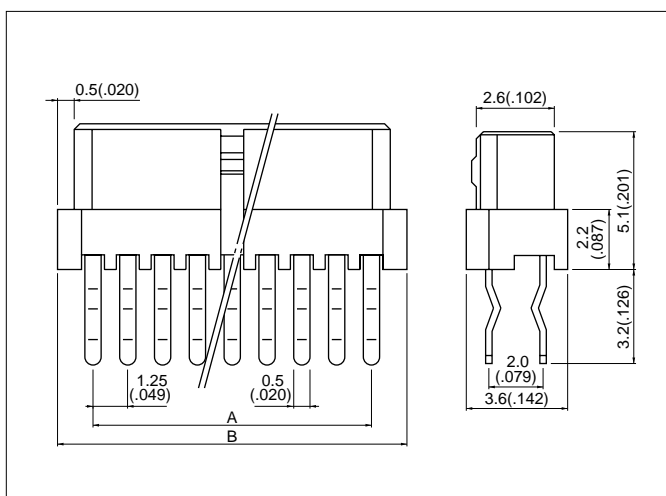


Cir- cuits	Model No.		Dimensions mm(in.)		Q'ty / box
	With stop	Without stop	A	B	
5	05PSL-JE	05PS-JE	5.0(.197)	7.4(.291)	1,400
7	07PSL-JE	07PS-JE	7.5(.295)	9.9(.390)	1,050
9	09PSL-JE	09PS-JE	10.0(.394)	12.4(.488)	800
11	11PSL-JE	11PS-JE	12.5(.492)	14.9(.587)	700
13	13PSL-JE	13PS-JE	15.0(.591)	17.4(.685)	600
15	15PSL-JE	15PS-JE	17.5(.689)	19.9(.783)	500
17	17PSL-JE	17PS-JE	20.0(.787)	22.4(.882)	450
19	19PSL-JE	19PS-JE	22.5(.886)	24.9(.980)	400

Material and Finish

Contact: Brass, copper-undercoated, tin-plated
Housing: Glass-filled nylon 66, UL94V-0

Receptacle



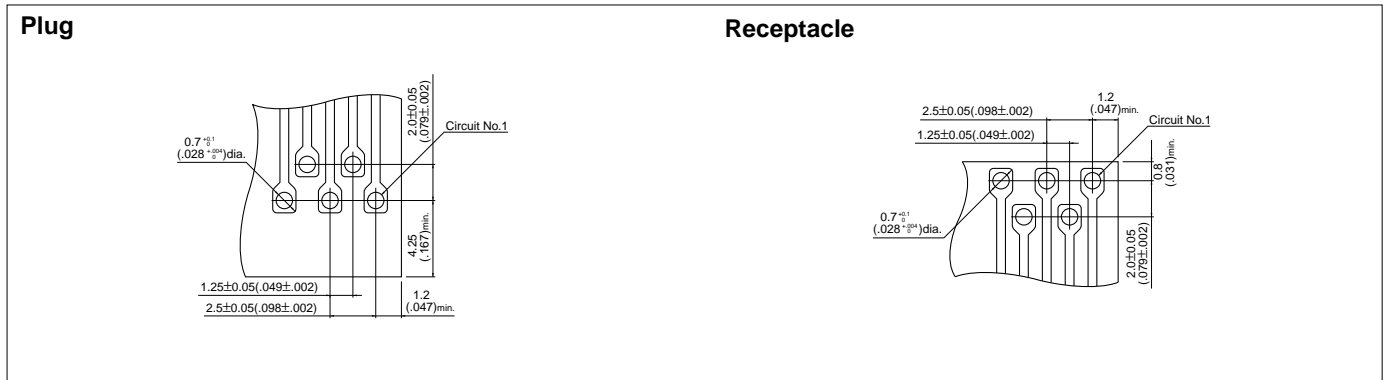
Cir- cuits	Model No.	Dimensions mm(in.)		Q'ty / box
		A	B	
5	05R-JE	5.0(.197)	7.4(.291)	1,000
7	07R-JE	7.5(.295)	9.9(.390)	1,000
9	09R-JE	10.0(.394)	12.4(.488)	1,700
11	11R-JE	12.5(.492)	14.9(.587)	1,400
13	13R-JE	15.0(.591)	17.4(.685)	1,200
15	15R-JE	17.5(.689)	19.9(.783)	1,000
17	17R-JE	20.0(.787)	22.4(.882)	900
19	19R-JE	22.5(.886)	24.9(.980)	800

Material and Finish

Contact: Phosphor bronze, copper-undercoated, tin/lead-plated
Housing: Glass-filled nylon 66, UL94V-0

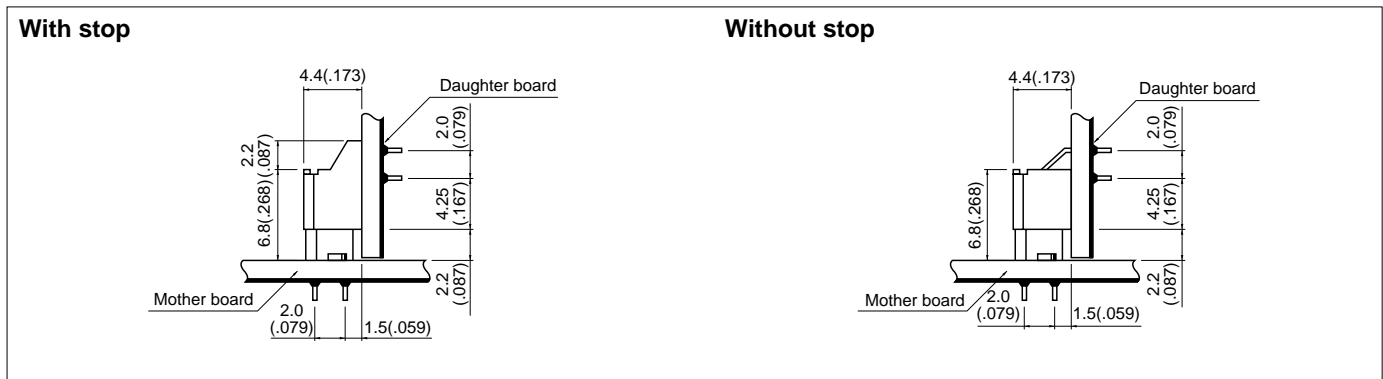
JE CONNECTOR

PC board layout (viewed from soldering side)



- Note:
1. Tolerances are non-cumulative: $\pm 0.05\text{mm}(\pm .002")$ for all centers.
 2. Hole dimensions differ according to the kind of PC board and piercing method. The dimensions above should serve as a guideline. Contact JST for details.

Assembly layout



Note: The daughter board should be secured. For details of the securing method, contact JST.