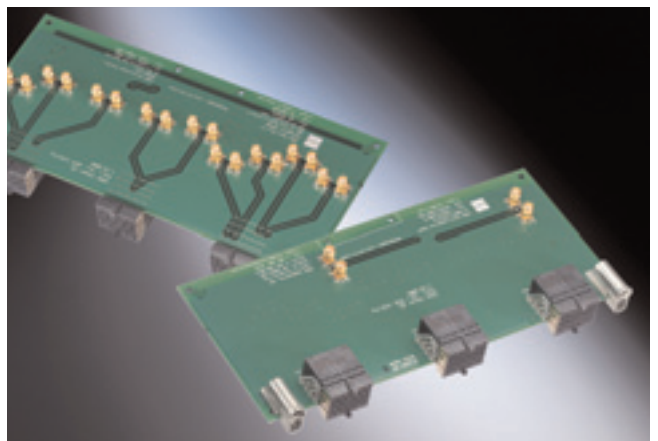
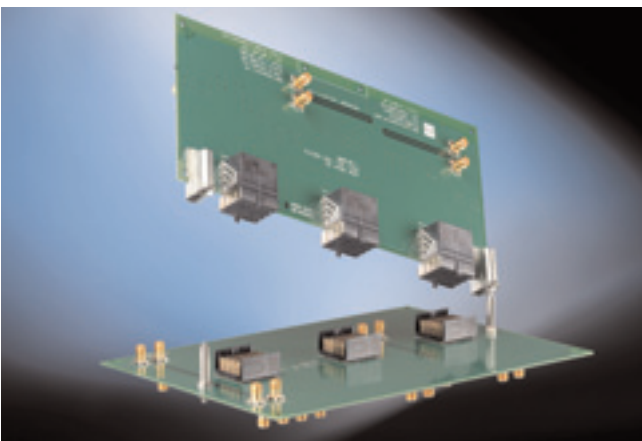
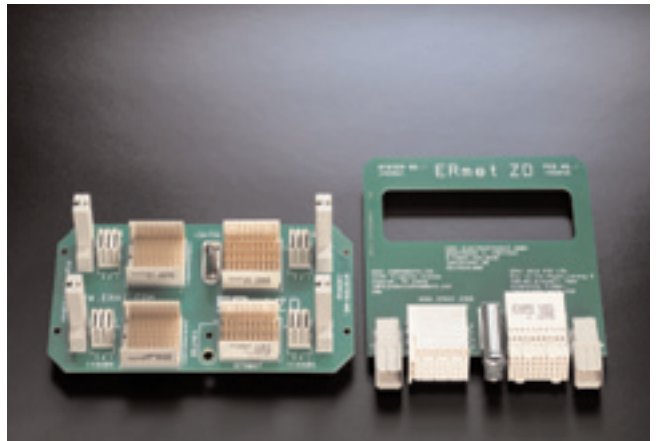
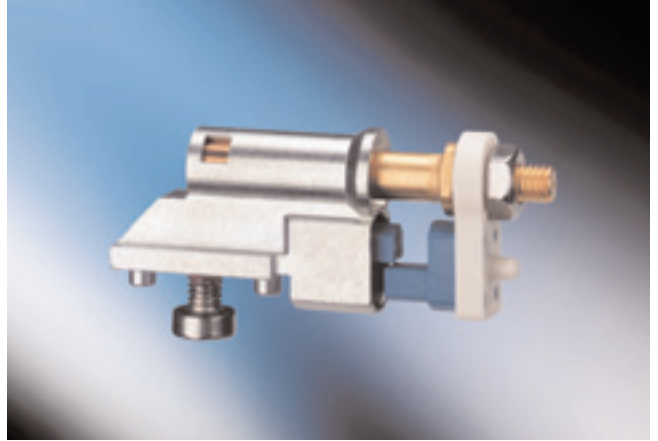




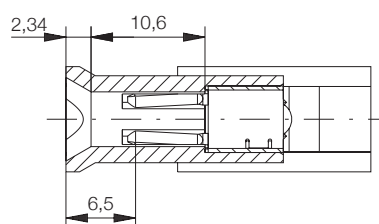
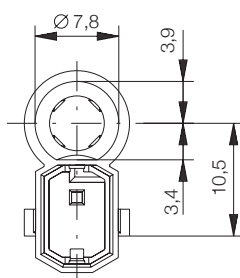
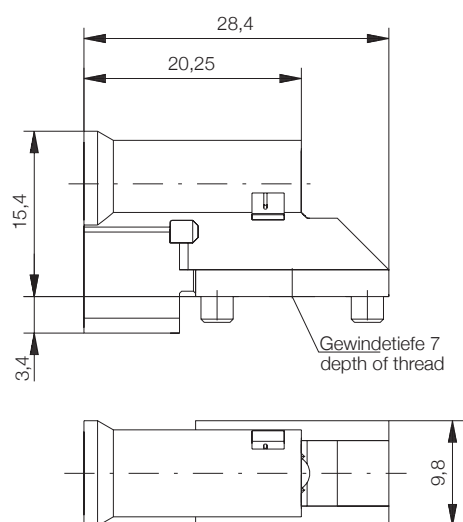
## Applications



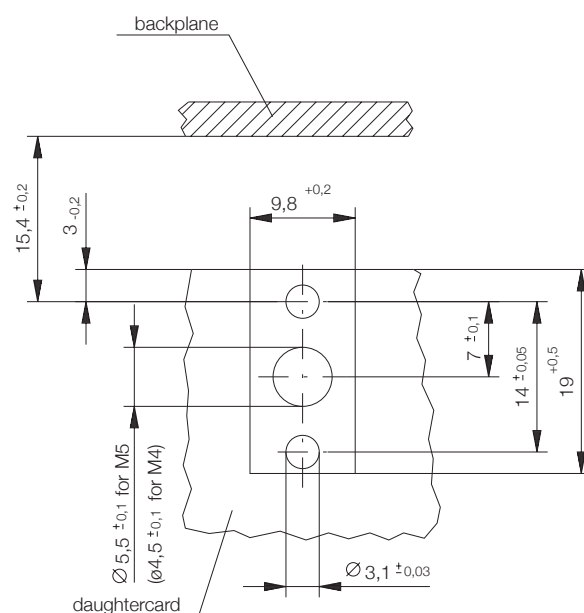
## Pre-alignment Modules with Electrical Contact

### Guide Bush

#### Dimensional Drawing



#### Layout



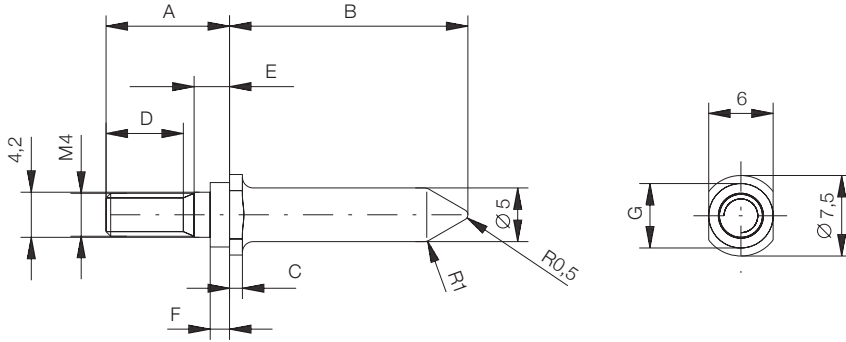
#### Ordering Informations

Description	Part Number
Guide bush with thread M4	144641
Guide bush with thread M5	144638
Kit (Guide bush M4, screw M4x8 with thread locker)	164307

Kit M5 on request.

## Guiding Pin Gold Plated

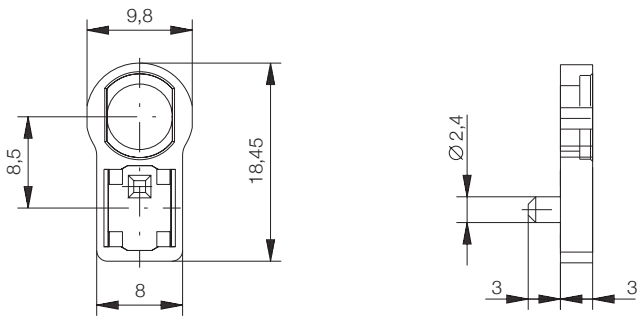
### Dimensional Drawing



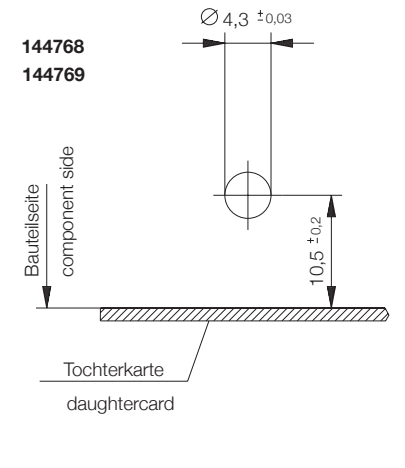
144769	12	24	3	6.5	4.5	—	—	6 - 8
144742	13.8	22.2	1.2	6.5	6.3	1.8	∅6	6 - 8
144768	9.7	24	3	7.2	1.5	—	—	2.5- 6 <sup>1)</sup>
144741	11.5	22.2	1.2	7.2	3.3	1.8	∅6	2.5- 6 <sup>1)</sup>
Ident-Nr. Part-No.	A	B	C	D	E	F	G	Backplanestärke thickness of backplane

1) unter 3.2mm zusätzlich Unterlegscheibe verwenden.  
up to 3.2mm use washer additional.

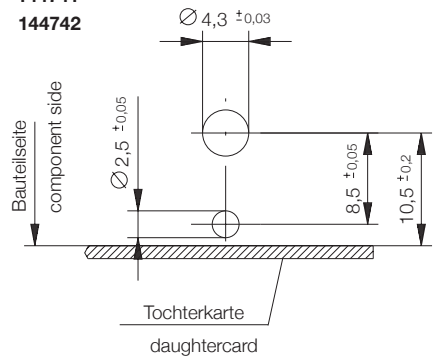
### Base Plate



### Layout



144741  
144742



### Ordering Informations

Description	PCB Thickness	Part Number
Guiding pin to fit on backplane without base plate	2.5 - 6.0mm	144768
Guiding pin to fit on backplane without base plate	6.0 - 8.0mm	144769
Guiding pin use only with base plate	2.5 - 6.0mm	144741
Guiding pin use only with base plate	6.0 - 8.0mm	144742
Kit without base plate (Guiding pin, washer, nut M4)	2.5 - 6.0mm	214361
Kit without base plate (Guiding pin, washer, nut M4)	6.0 - 8.0mm	214362
Kit with base plate (Guiding pin, washer, nut M4, base plate)	2.5 - 6.0mm	214363
Kit with base plate (Guiding pin, washer, nut M4, base plate)	6.0 - 8.0mm	214364
Base plate		134734











