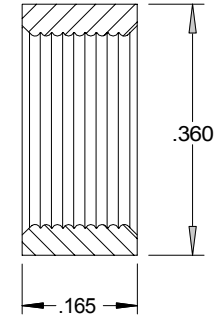
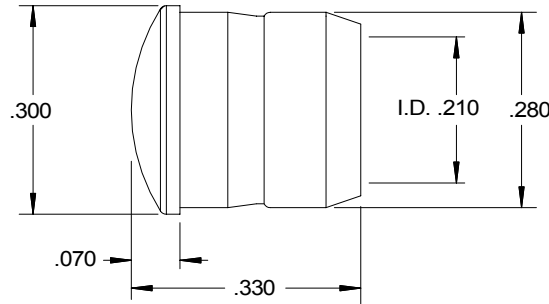
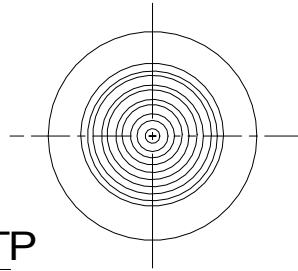


ACTUAL SIZE

CMC 321 LENSE

RNG 268

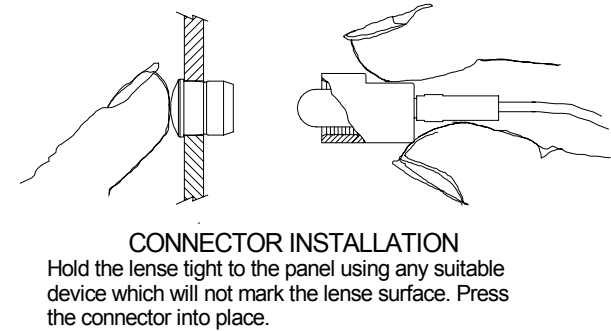
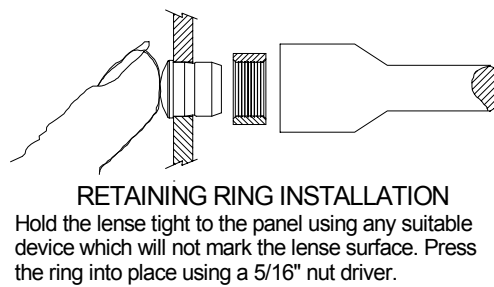
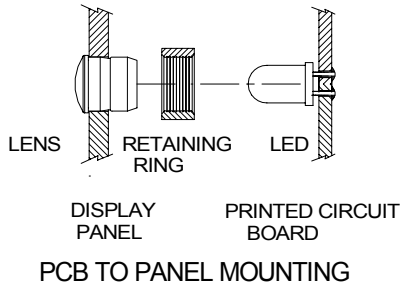


ORDERING CODES

MODEL CMC 321 RTP
 CMC 321 (LENS)
 RNG 268 (RETAINER)

COLOR _____

- RTP Red Transparent BTP Blue Transparent
- ATP Amber Transparent YTP Yellow Transparent
- GTP Green Transparent CTP Clear Transparent



U.S. PAT. PEND.

NOTES:

MATERIAL: Lens - Polycarbonate
 Retaining Ring - Polypropylene
 DESIGN: Low profile lens using fresnel rings.
 MOUNTING: Mounts thru the front of panel.
 Hole size 9/32" (7.2mm) on 3/8" centers.
 For PCB mounted LED use RNG 268 Retainer.

See VCC brochure for information on CNX connectors.

REVISIONS			
NO	DESCRIPTION	DATE	BY
1			
2			
3			
4			
5			

CLIPLITE[®] CMC 321 LENSE

VCC VISUAL COMMUNICATIONS COMPANY, INC.
 7920-F Arjons Drive San Diego, California 92126 U.S.A.
 Phone (858) 549-6900 Fax (858) 549-3520 e-mail vccsales@vcclite.com

TOLERANCES	SCALE	N/A	DATE	11/07/99	DRAWING NO.
DECIMAL ±.010	DIAMETER .003 TIR		DRAWN BY	JMS	CMC 321A
ANGLE ± 30'	RADII .008 Max	CHK'D			