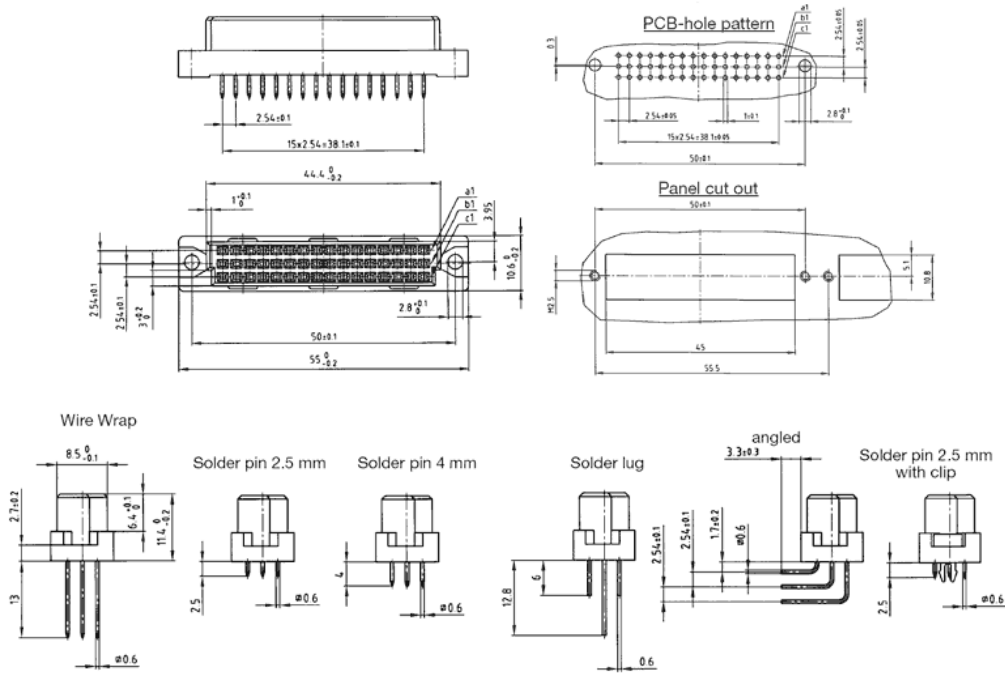


Mini Type C
Female connector
contact spacing
.100" and .200" mm

Directive 2002/95/EC
"RoHS"
Compliant



Part Numbers

No. of Pos.		Wire Wrap	Solder pin 2.5 mm	Solder pin 4 mm	Solder lug	angled	Solder pin 2.5 mm with clip
16	Pos. 1 2 3 4 5 ... row a • • • • • row b + + + + + row c + + + + +	122 A 10579 X	122 A 10629 X	122 A 1079 X	122 A 10729 X	122 A 10779 X	122 A 13299 X
16	Pos. 1 2 3 4 5 ... row a + + + + • row b + + + + + row c + + + + •	122 A 10589 X	122 A 10639 X	122 A 10689 X	122 A 10739 X	122 A 10789 X	122 A 13309 X
32	Pos. 1 2 3 4 5 ... row a • • • • • row b + + + + + row c • • • • •	122 A 10609 X	122 A 10659 X	122 A 10709 X	122 A 10759 X	122 A 10809 X	122 A 13329 X
48	Pos. 1 2 3 4 5 ... row a • • • • • row b • • • • • row c • • • • •	122 A 10619 X	122 A 10669 X	122 A 10719 X	122 A 10769 X	122 A 10819 X	122 A 13339 X

Clip for PCB Ø 2.8 + 0.1 mm, PCB-thickness = 1.6 mm