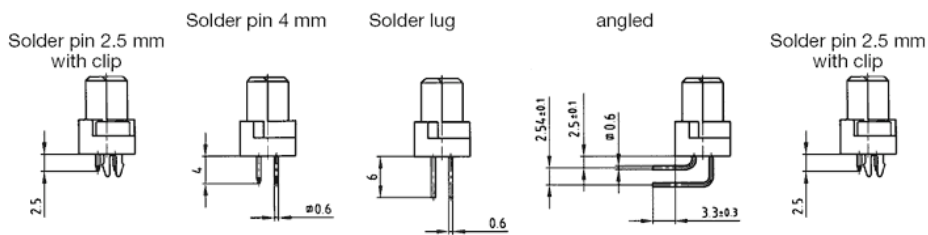
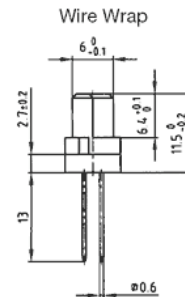
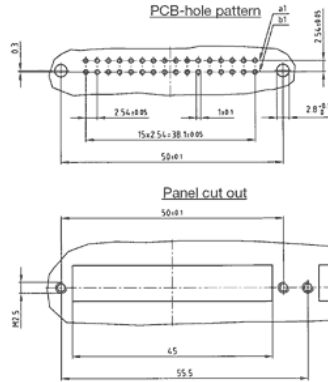
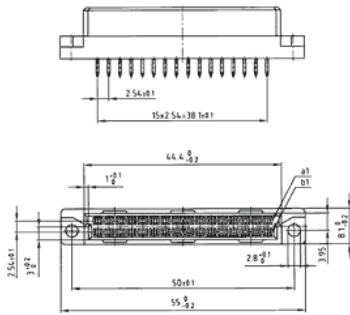


Mini Type B
Female connector
Contact spacing
.100" and .200"

Directive 2002/95/EC
„RoHS“
Compliant



Part Numbers

No. of Pos.	• = contact + = no contact	Wire wrap	Solder pin 2.5 mm	Solder pin 4 mm	Solder lug	angled	Solder pin 2.5 mm with clip
16	Pos. 1 2 3 4 5 6 row a • • • • • • row b + + + + + +	122 A 10419 X	122 A 10449 X	122 A 10479 X	122 A 10509 X	122 A 10539 X	122 A 13219 X
16	Pos. 1 2 3 4 5 6 row a + + + • + • row b + + + • + •	122 A 10429 X	122 A 10459 X	122 A 10489 X	122 A 10519 X	122 A 10549 X	122 A 13229 X
32	Pos. 1 2 3 4 5 6 row a • • • • • • row b • • • • • •	122 A 10439 X	122 A 10469 X	122 A 10499 X	122 A 10529 X	122 A 10559 X	122 A 13239 X

Clip for PCB Ø 2.8 + 0.1 mm, PCB-thickness = 1.6 mm