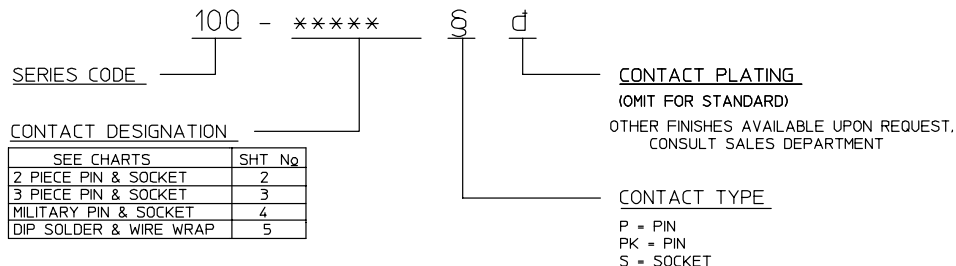


NOTES:

- REF - WIRE STRIP LENGTH TO BE .187/4.75.
- CRIMP CONTACTS AVAILABLE ON REELS (2000/REEL).
SEE CHART FOR REEL PART No
- CATALOG NUMBER CODE:

REV	DESCRIPTION	BY DATE	APPD
H	REVISED PER ECR# 6003	CMB 09/16/99	W.P.M.

100 SERIES CODE ORDER CHART



SPECIFICATIONS

MATERIALS & FINISHES

- ① **Socket Contact** ————— Material: Copper Alloy
Finish: Standard= 8µ"/0.2µm Min Gold Over Nickel
Military= 50µ"/1.25µm Min Gold Over Nickel
- ② **Pin Contact** ————— Material: Copper Alloy
Finish: Standard= 8µ"/0.2µm Min Gold Over Nickel
Military= 50µ"/1.25µm Min Gold Over Nickel
- ③ **Retainer Clip** ————— Material: Standard= Beryllium Copper Alloy
Finish: Gold Plated
- ④ **Contact Spring** ————— Material: Beryllium Copper Alloy
Finish: Standard= Nickel Plated
Military= Gold Plated
- ⑤ **Contact Spring** ————— Material: Beryllium Copper Alloy
Finish: Gold Plated

PERFORMANCE CHARACTERISTICS

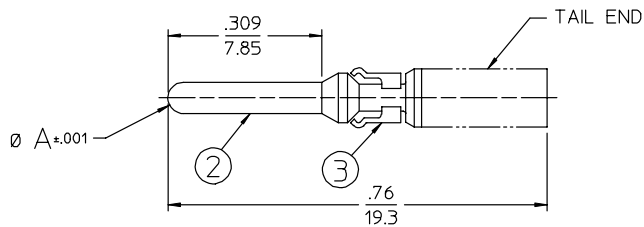
- Conforms to ————— MIL-C-39029
- Current rating ————— 7.5 amps. max. for 0.040/102 per individual contact
13 amps max for 0.0625/1587 per individual contact

ACCESSORY TOOLS

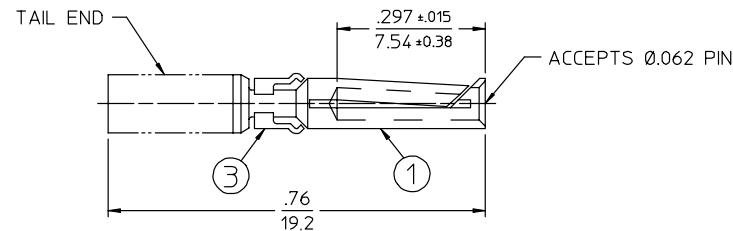
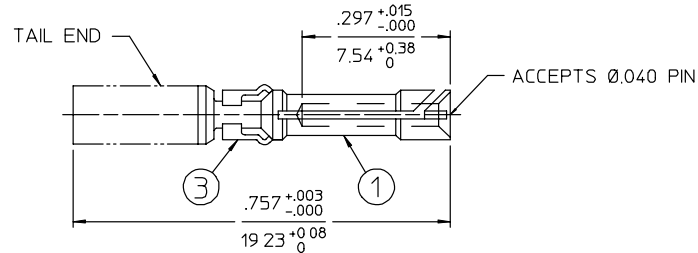
DESCRIPTION	CATALOG No	LOCATORS/POSITIONERS	CRIMP DEPTH BLOCK	SPANNER WRENCH
INSERTION TOOL	107-1015	—————	—————	—————
REMOVAL TOOL	107R-1001			
REMOVAL TOOL	107-1005			
NON-ADJUSTABLE HAND CRIMP MS-3191-2	107-0970	107-0981 (#14) 107-0977 (#16,#18) 107-0976 (#20,#22,#24,#26)	—————	107-1102
HAND CRIMP	107-0903-2A	107-0945		
PNEUMATIC AUTOMATIC CRIMP	107-0961	—————	107-0965-#20 107-0966-#16	—————
NON-ADJUSTABLE MINIATURE HAND CRIMP	107-43300	107-43304 107-0993 (#20,#22,#24,#26)	—————	
ADJUSTABLE MINIATURE HAND CRIMP	107-0625	107-0628		
CONTACT PIN STRAIGHTENER	107-1024	—————		
GAGE PLUG	5431	—————	—————	—————

PER ANSI Y14.5M-1982 UNLESS OTHERWISE SPECIFIED: DIMENSIONS ARE IN INCHES OR INCHES / PART		Litton Winchester Electronics 400 PARK ROAD WATERTOWN, CONNECTICUT 06795
TOLERANCES DECIMALS xx ± .02 xxx ± .010 ANGLES °	SCALE: 5:1	
CUSTOMER DRAWING		TITLE MRAC REMOVABLE PIN & SOCKET CONTACTS
DRAWN K.D.B.	DATE CHECKED 03/28/96	DATE 03/29/96
APPROVED V.B.H.	DATE APPROVED 03/28/96	DATE 03/29/96
C		22891
SHT. 1 OF 5		REV. H

REV	DESCRIPTION	BY DATE	APPD
H	REVISED PER ECR# 6003	CMB 09/16/99	WPM

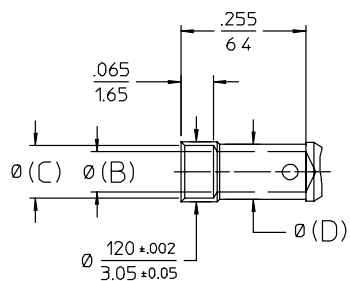


PIN

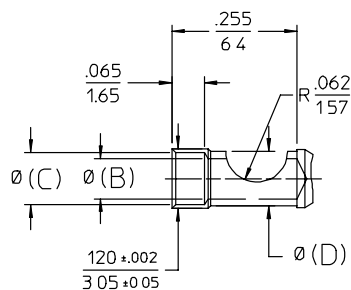


2 PIECE SOCKETS

TAIL OPTIONS



CRIMP



SOLDER

PIN $\varnothing A = 0.625/1.587$				PIN $\varnothing A = 0.40/1.02$				WIRE SIZE	B	C	D
CRIMP CAT. No		SOLDER CAT. No		CRIMP CAT. No		SOLDER CAT. No					
CONTACT	REEL	CONTACT	REEL	CONTACT	REEL	CONTACT	REEL				
100-1026P-d	100-0963P-d	---	---	---	---	---	---	26-28-30	.024/0.61	.050/1.27	.077/1.95
100-1024P-d	100-0917P-d	100-2524P-d	---	100-2024P-d	100-0951P-d	100-2624P-d	---	24-26-28	.027/0.68	.055/1.40	.077/1.95
100-1022P-d	100-0907P-d	100-2522P-d	---	100-2022P-d	100-0947P-d	100-2622P-d	---	22-24-26	.033/0.84	.055/1.40	.077/1.95
100-1020P-d	100-0915P-d	100-2520P-d	---	100-2020P-d	100-0945P-d	100-2620P-d	---	20-22-24	.046/1.17	.069/1.75	.077/1.95
100-1018P-d	100-0913P-d	100-2518P-d	---	100-2018P-d	100-0943P-d	100-2618P-d	---	18-20-22	.052/1.32	.078/1.98	.096/2.44
100-1016P-d	100-0911P-d	100-2516P-d	---	100-2016P-d	100-0949P-d	100-2616P-d	---	16-18-20	.068/1.73	.094/2.39	.110/2.79
100-1014P-d	100-0909P-d	100-2514P-d	---	---	---	---	---	14-16-18	.081/2.06	.105/2.67	.110/2.79
100-1012P-d	100-0903P-d	---	---	---	---	---	---	12-14	.098/2.49	---	.120/3.05
100-1026S-d	100-0965S-d	---	---	---	---	---	---	26-28-30	.024/0.61	.050/1.27	.077/1.95
100-1024S-d	100-0927S-d	100-2524S-d	---	100-2024S-d	100-0941S-d	100-2624S-d	---	24-26-28	.027/0.68	.055/1.40	.077/1.95
100-1022S-d	100-0908S-d	100-2522S-d	---	100-2022S-d	100-0937S-d	100-2622S-d	---	22-24-26	.033/0.84	.055/1.40	.077/1.95
100-1020S-d	100-0925S-d	100-2520S-d	---	100-2020S-d	100-0935S-d	100-2620S-d	---	20-22-24	.046/1.17	.069/1.75	.077/1.95
100-1018S-d	100-0923S-d	100-2518S-d	---	100-2018S-d	100-0933S-d	100-2618S-d	---	18-20-22	.052/1.32	.078/1.98	.096/2.44
100-1016S-d	100-0921S-d	100-2516S-d	---	100-2016S-d	100-0939S-d	100-2616S-d	---	16-18-20	.068/1.73	.094/2.39	.110/2.79
100-1014S-d	100-0919S-d	100-2514S-d	---	---	---	---	---	14-16-18	.081/2.06	.105/2.67	.110/2.79

PER ANSI Y14.5M-1982
UNLESS OTHERWISE SPECIFIED:
DIMENSIONS ARE IN INCHES - OR INCHES / MM

TOLERANCES
DECIMALS xx ± .02
 xxx ± .010
ANGLES ± SCALE: 5:1

Litton
Winchester Electronics
400 PARK ROAD
WATERTOWN, CONNECTICUT
06795

CUSTOMER DRAWING

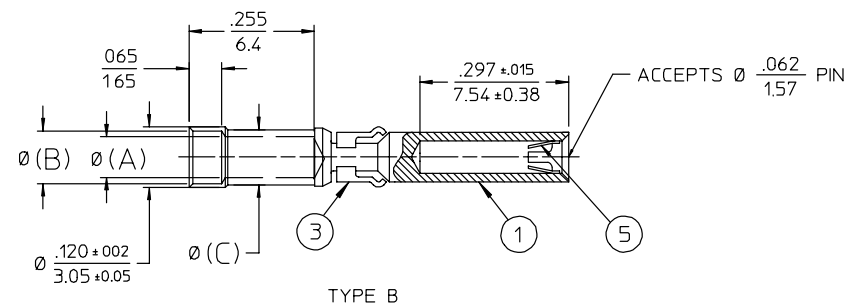
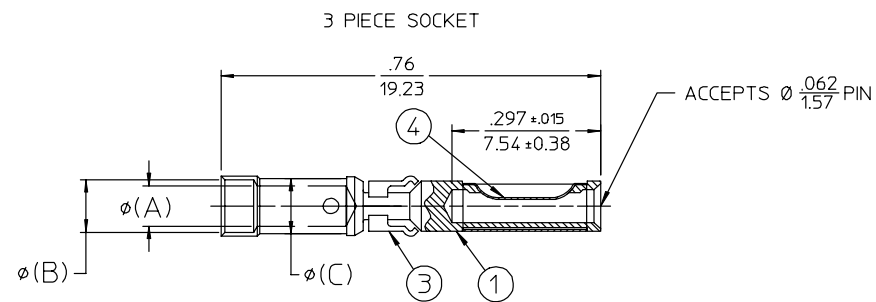
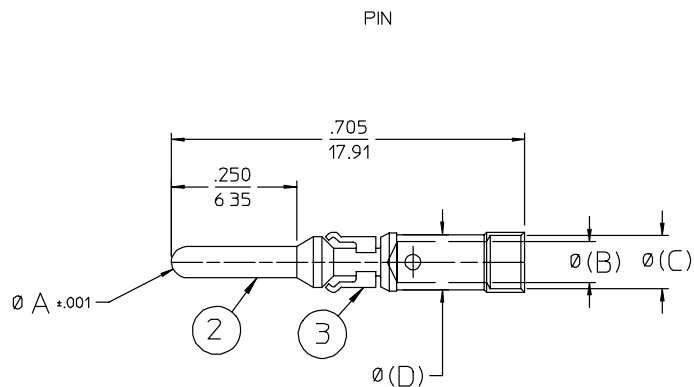
DRAWN: Donna 05/18/94 DATE CHECKED: J.M.G. 08/18/94 DATE: 08/18/94

APPROVED: V.B.H. 08/18/94 DATE APPROVED: D.R. 08/19/94 DATE: 08/19/94

TITLE: MRAC REMOVABLE PIN & SOCKET CONTACTS

C 22891 SH. 2 OF 5 REV H

REV	DESCRIPTION	BY DATE	APPD
H	REVISED PER ECR# 6003	C.W.B. 09/16/99	W.C.M.



PIN $\phi A = .0625/1.587$		PIN $\phi A = .040/1.02$		WIRE SIZE	B	C	D
CONTACT	REEL	CONTACT	REEL				
100-1024PK-d	100-0976PK-d	100-2024PK-d	100-0990PK-d	24-26-28	.027/0.68	.055/1.40	.077/1.95
100-1022PK-d	100-0975PK-d	100-2022PK-d	100-0980PK-d	22-24-26	.033/0.84		
100-1020PK-d	100-0974PK-d	100-2020PK-d	100-0998PK-d	20-22-24	.046/1.17	.069/1.75	
100-1018PK-d	100-0973PK-d	100-2018PK-d	100-0989PK-d	18-20-22	.052/1.32	.078/1.98	.096/2.44
100-1016PK-d	100-0972PK-d	100-2016PK-d	100-0988PK-d	16-18-20	.068/1.73	.094/2.39	110/2.79
100-1014PK-d	100-0971PK-d	—	—	14-16-18	.081/2.06	.105/2.67	

CATALOG No	REEL CAT. No	WIRE SIZE	A	B	C	TYPE
100-51014S-d	100-0981S-d	14-16-18	.081/2.06	.105/2.67	.110/2.79	A
100-51016S-d	100-0982S-d	16-18-20	.067/1.70	.094/2.39		
100-51018S-d	100-0983S-d	18-20-22	.052/1.32	.078/1.98	.096/2.44	
100-51020S-d	100-0984S-d	20-22-24	.045/1.14	.067/1.70		
100-51022S-d	100-0985S-d	22-24-26	.033/0.84	.055/1.40	.077/1.95	
100-51024S-d	100-0986S-d	24-26-28	.027/0.68			
100-51026S-d	100-0987S-d	26-28-30	.024/0.61	.050/1.27		B
100-61014S-d	100-8024S-d	14-16-18	.081/2.06	.105/2.67	.110/2.79	
100-61016S-d	100-8025S-d	16-18-20	.067/1.70	.094/2.39		
100-61018S-d	100-8026S-d	18-20-22	.052/1.32	.078/1.98	.096/2.44	
100-61020S-d	100-8027S-d	20-22-24	.045/1.14	.067/1.70		
100-61022S-d	100-8028S-d	22-24-26	.033/0.84	.055/1.40	.077/1.95	
100-61024S-d	100-8029S-d	24-26-28	.027/0.68			
100-61026S-d	100-8030S-d	26-28-30	.024/0.61	.050/1.27		

PER ANSI Y14.5M-1982
UNLESS OTHERWISE SPECIFIED,
DIMENSIONS ARE IN INCHES. — OR INCHES / MM

TOLERANCES
DECIMALS xx $\pm .02$
 xxx $\pm .010$

ANGLES ° SCALE: 5:1

Litton

Winchester
Electronics

400 PARK ROAD
WATERTOWN, CONNECTICUT
06795

**CUSTOMER
DRAWING**



TITLE

MRAC REMOVABLE
PIN & SOCKET CONTACTS

DRAWN	DATE	CHECKED	DATE
KDB	03/28/96	W.P.M.	03/29/96
APPROVED	DATE	APPROVED	DATE
VBH	03/28/96	R.D.R.	03/29/96

C

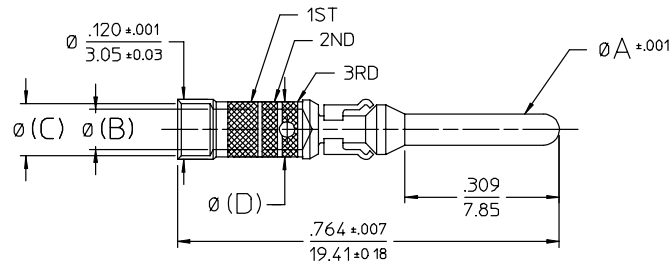
22891

SHT 3 OF 5

REV. H

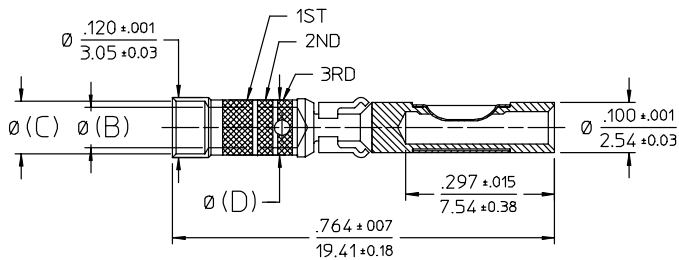
MILITARY PIN & SOCKET ASSEMBLIES

REV	DESCRIPTION	BY	DATE	APPD
H	REVISED PER ECR# 6003	C.W.B.	09/16/99	W.P.M.

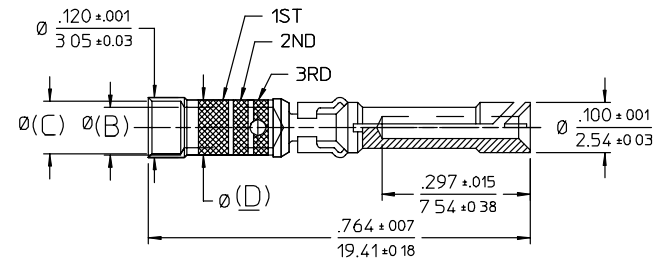


PIN CONTACTS

PARTS LIST											
MILITARY CONTACT CAT. N _Q	W.E.D. CONTACT CAT. N _Q	REEL CAT. N _Q	COLOR BANDS			WIRE SIZE	PIN Ø A	B	C	D	USED IN CONNECTOR SERIES
			1ST	2ND	3RD						
M39029/34-271	100R-2020P95	100R-0945P95	RED	VIOLET	BROWN	20-22-24	.040/1.02	.046/1.17	.069/1.75	.077/1.95	M28748
M39029/34-272	100R-1020P95	100R-0915P95			RED	20-22-24	.0625/1.587	.068/1.73	.094/2.39	.110/2.79	
M39029/34-273	100B-1016P95	100B-0911P95			ORANGE	16-18-20					



CATALOG N_Q'S M39029/35-275 & -276 SHOWN



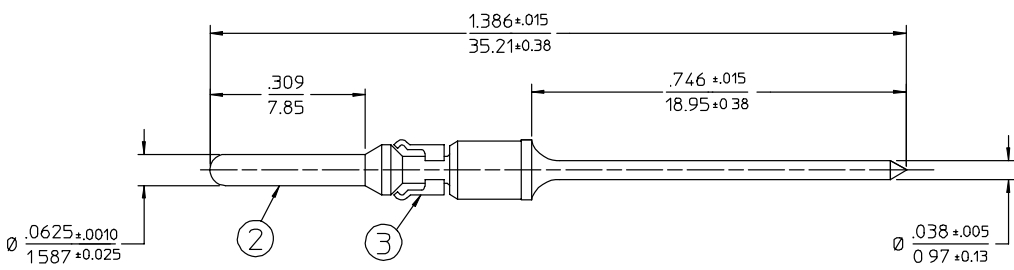
CATALOG N_Q M39029/35-274 SHOWN

SOCKET CONTACTS

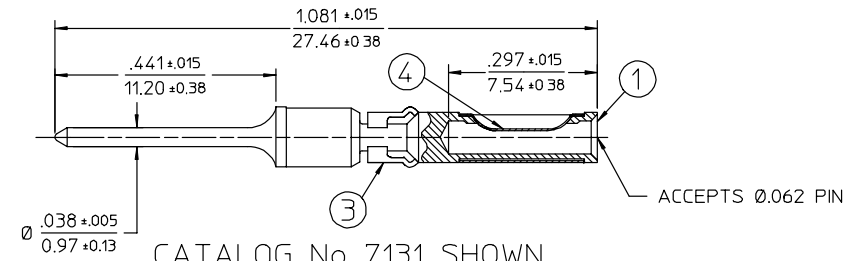
PARTS LIST											
MILITARY CONTACT CAT. N _Q	W.E.D. CONTACT CAT. N _Q	REEL CAT. N _Q	COLOR BANDS			WIRE SIZE	MATING PIN Ø	B	C	D	USED IN CONNECTOR SERIES
			1ST	2ND	3RD						
M39029/35-274	100R-2020S95	100R-0979S95	RED	VIOLET	YELLOW	20-22-24	.040/1.02	.046/1.17	.069/1.75	.077/1.95	M28748
M39029/35-275	100R-51020S95	100R-0984S95			GREEN	20-22-24	.0625/1.587	.068/1.73	.094/2.39	.110/2.79	
M39029/35-276	100B-51016S95	100B-0982S95			BLUE	16-18-20					

PER ANSI Y14.5M-1982 UNLESS OTHERWISE SPECIFIED: DIMENSIONS ARE IN INCHES OR INCHES / MM		Litton Winchester Electronics 400 PARK ROAD WATERTOWN, CONNECTICUT 06795
TOLERANCES DECIMALS xx ± .02 xxx ± .010 ANGLES X°	SCALE: 5:1	
CUSTOMER DRAWING		TITLE MRAC REMOVABLE PIN & SOCKET CONTACTS
DRAWN K.D.B.	DATE 03/28/96	CHECKED W.P.M.
APPROVED V.B.H.	DATE 03/28/96	DATE 03/29/96
C		22891
SHT. 4 OF 5		REV. H

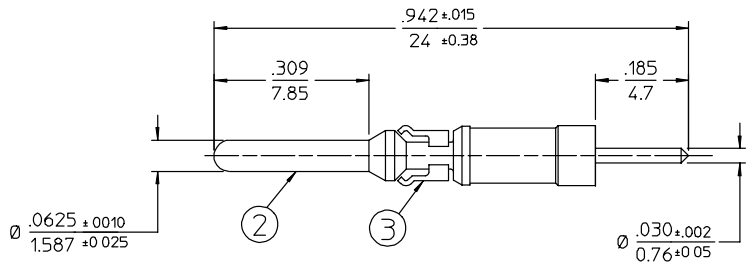
REV	DESCRIPTION	BY DATE	APPD
H	REVISED PER ECR# 6003	C.M.A. 09/16/99	W.P.M.



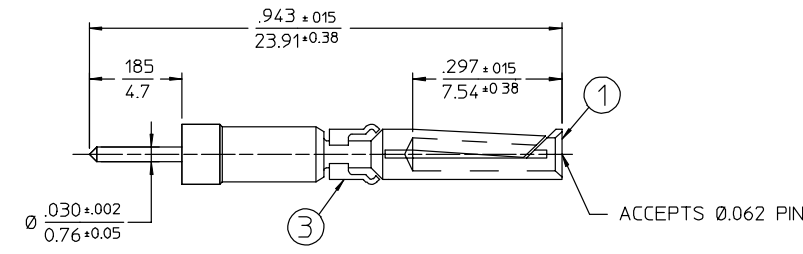
CATALOG No 7130 SHOWN



CATALOG No 7131 SHOWN

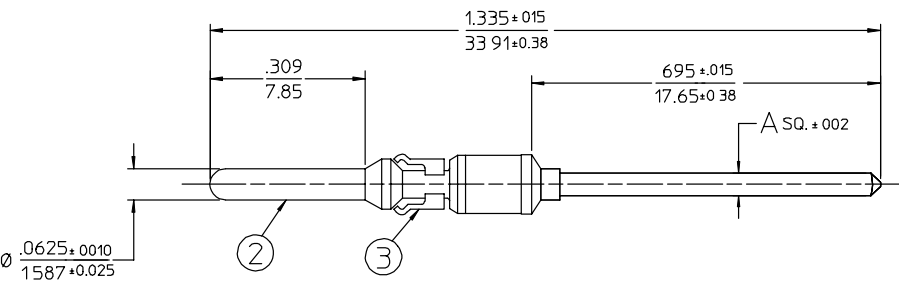


CATALOG No 8124-d SHOWN



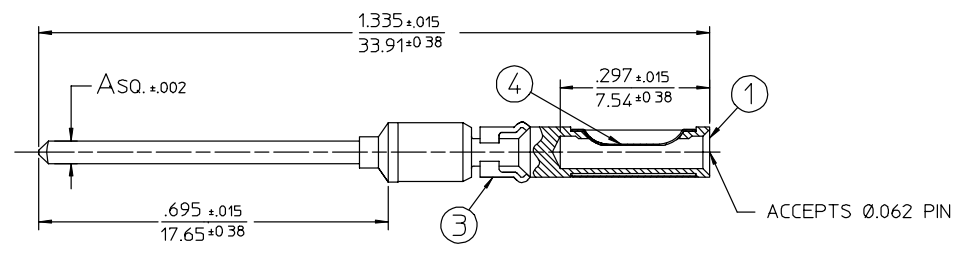
CATALOG No 8125-d SHOWN

DIP SOLDER CONTACTS



CATALOG No'S 8106-d AND 8114-d SHOWN

CAT. No	A
8106-d	.045/1.43 SQ.
8114-d	.025/0.64 SQ.



CATALOG No'S 8105-d AND 8113-d SHOWN

CAT. No	A
8105-d	.045/1.43 SQ.
8113-d	.025/0.64 SQ.

WIRE WRAP CONTACTS

PER ANSI Y14.5M-1982 UNLESS OTHERWISE SPECIFIED: DIMENSIONS ARE IN INCHES OR INCHES / MM		Litton Winchester Electronics 400 PARK ROAD WATERTOWN, CONNECTICUT 06795
TOLERANCES DECIMALS .XX ± .02 .XXX ± .010 ANGLES ° SCALE 5:1		
CUSTOMER DRAWING		TITLE MRAC REMOVABLE PIN & SOCKET CONTACTS
DRAWN K.D.B.	DATE 03/28/96	CHECKED W.P.M.
APPROVED V.B.H.	DATE 03/28/96	APPROVED R.D.R.
DATE 03/29/96		DATE 03/29/96
C 22891		SHEET 5 OF 5 REV. H