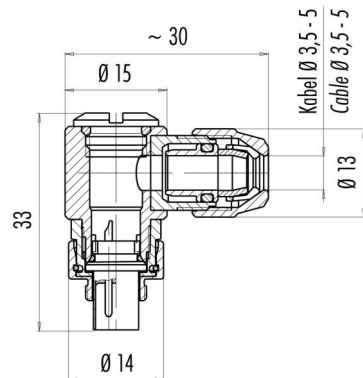


Product Area	Male angled connector 360° EMI protected, shieldable M9 connectors IP 67	serie 712	Pole	4
			Article number	99 0409 75 04

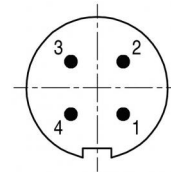
illustration



scale drawing



Contact Arrangement



	X	Y
1	1,10	-1,10
2	1,10	1,10
3	-1,10	1,10
4	-1,10	-1,10

You can find the item description and assembly instruction on the next page.

Technical data

Common values

Connector Design	Male angled cable connector
Connector locking system	Screw
Termination	solder
Wire gauge (mm)	0,25 mm <sup>2</sup>
Wire gauge (AWG)	24
Cable outlet	3,5 - 5 mm
Upper temperature	+85 °C
Lower temperature	-40 °C

Material

Material of contact	CuZn (brass)
Contact plating	Au (gold)
Material of contact body	PBT (UL 94 V-0)
Material of housing	CUZn (brass nickel plated)

Cable data

material housing	-
insulation single lead	-
single lead structure	-
conductor resistance	-

Electrical values

Rated voltage	125 V
Rated impulse voltage	1500 V
Pollution degree	I
Overvoltage category	II
Material group	III
Rated current (40°C)	3 A
Volume resistivity	≤ 3 mΩ
EMV compliance	shieldable
Degree of protection	IP 67
Mechanical operation	>500 mating cycles

Contacts 4, Male angled connector 360° EMI protected, shieldable

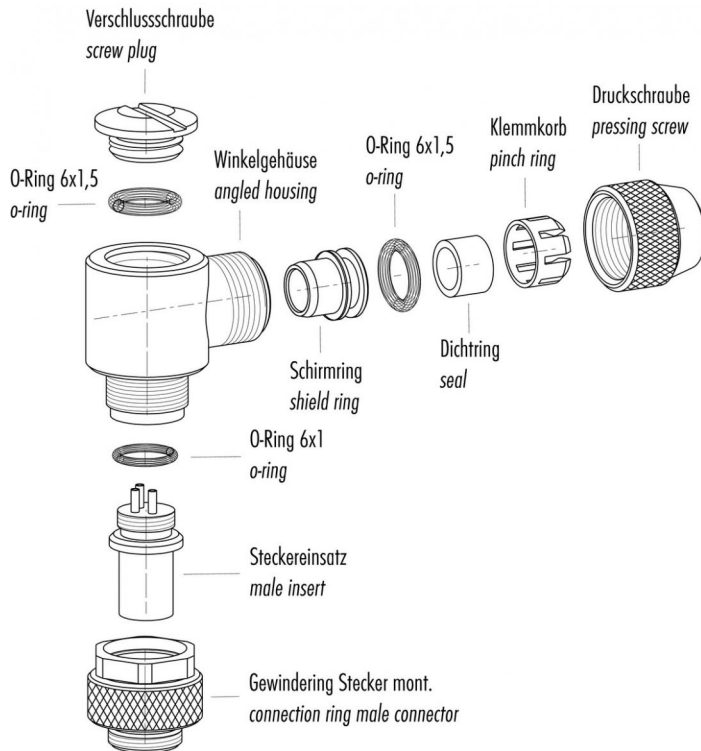


Product Area Male angled connector 360° EMI protected, shieldable M9 connectors IP 67 serie 712

Pole 4  
Article number 99 0409 75 04

Date: 2014-07-20 - Page 2 of 2

### Item description



### Installation instructions / Mounting cutout

1. Teile auffädeln,  
Kabel abmanteln

1. Bead parts,  
dismantle cable

2. Schirm aufweiten,  
um Schirmring  
legen, überste-  
hendes Geflecht  
abschneiden,  
abisolieren

2. Widen shield,  
put around shiel-  
ding ring, cut off  
projecting braid,  
dismantle

3. Litzen durch Ge-  
häuse fädeln,  
Druckschraube  
montieren,  
Litzen anlöten

3. Thread wires  
through housing,  
mount pressing  
screw, solder  
wires

4. Übrige Teile  
montieren

4. Mount remaining  
parts

