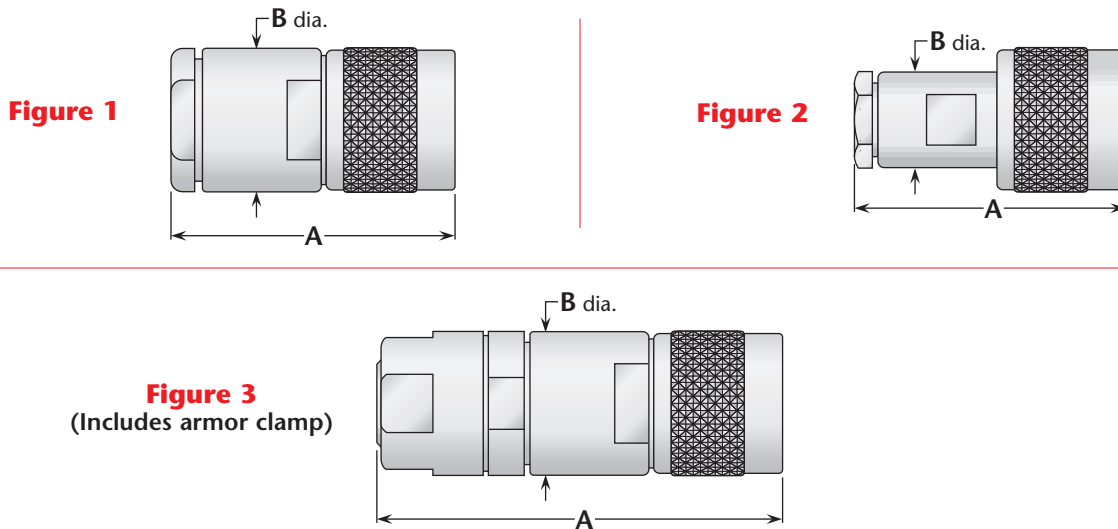


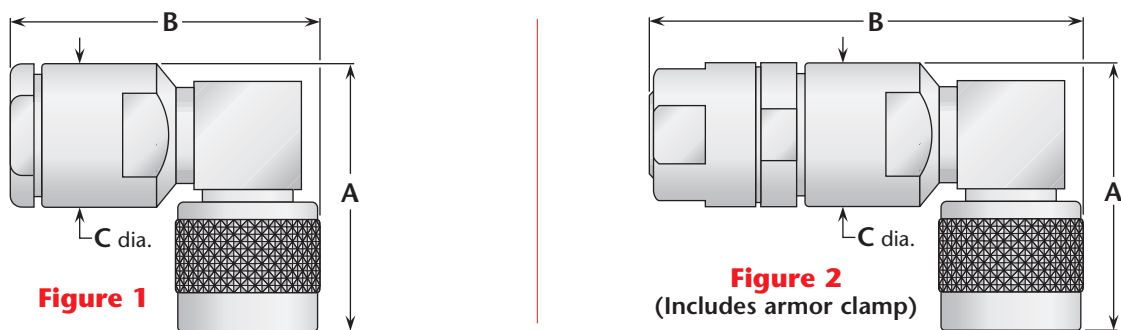
## Straight Plug—Military Clamp for Flexible Cable



Cable Group	Figure	Dimensions		Plating		Delta P/N	Assembly Procedure/ Trim Code
		A	B	Body	Contact		
1	1	1.50	.75	Nickel	Silver	UG-626B/U	A/20
2, 3	1	1.50	.75	Nickel	Silver	UG-573B/U	A/20
2, 3	1	1.72	.75	Nickel	Silver	UG-628A/U*	A/21
2, 3	1	1.50	.75	Nickel	Silver (C)	1401-004-N001	A/01
5, 6	2	1.36	.50	Nickel	Silver	UG-709B/U	A/13
5, 6	2	1.36	.50	Nickel	Silver (C)	1401-015-N001	A/02
7	2	1.36	.50	Nickel	Silver	UG-627B/U	A/22
15	3	2.13	.75	Nickel	Silver	UG-943B/U	D/04
16	1	1.63	.88	Nickel	Silver	UG-707A/U	A/23

\* High-voltage type.

## Right Angle Plug—Military Clamp for Flexible Cable



Cable Group	Figure	Dimensions			Plating		Delta P/N	Assembly Procedure/ Trim Code
		A	B	C	Body	Contact		
2, 3	1	1.35	1.62	.75	Nickel	Gold	UG-710B/U	A/07
2, 3	1	1.35	1.62	.75	Nickel	Silver (C)	1404-004-N001	A/01
15	2	1.35	2.31	.75	Nickel	Silver	UG-945B/U	D/01
16	1	1.41	1.78	.88	Nickel	Silver	1404-007-N000	A/24

See page 204 for cable groups. • Assembly procedures start on page 205.  
 (C) in contact plating column indicates captive contact. • See page 6 for alternate body plating information.