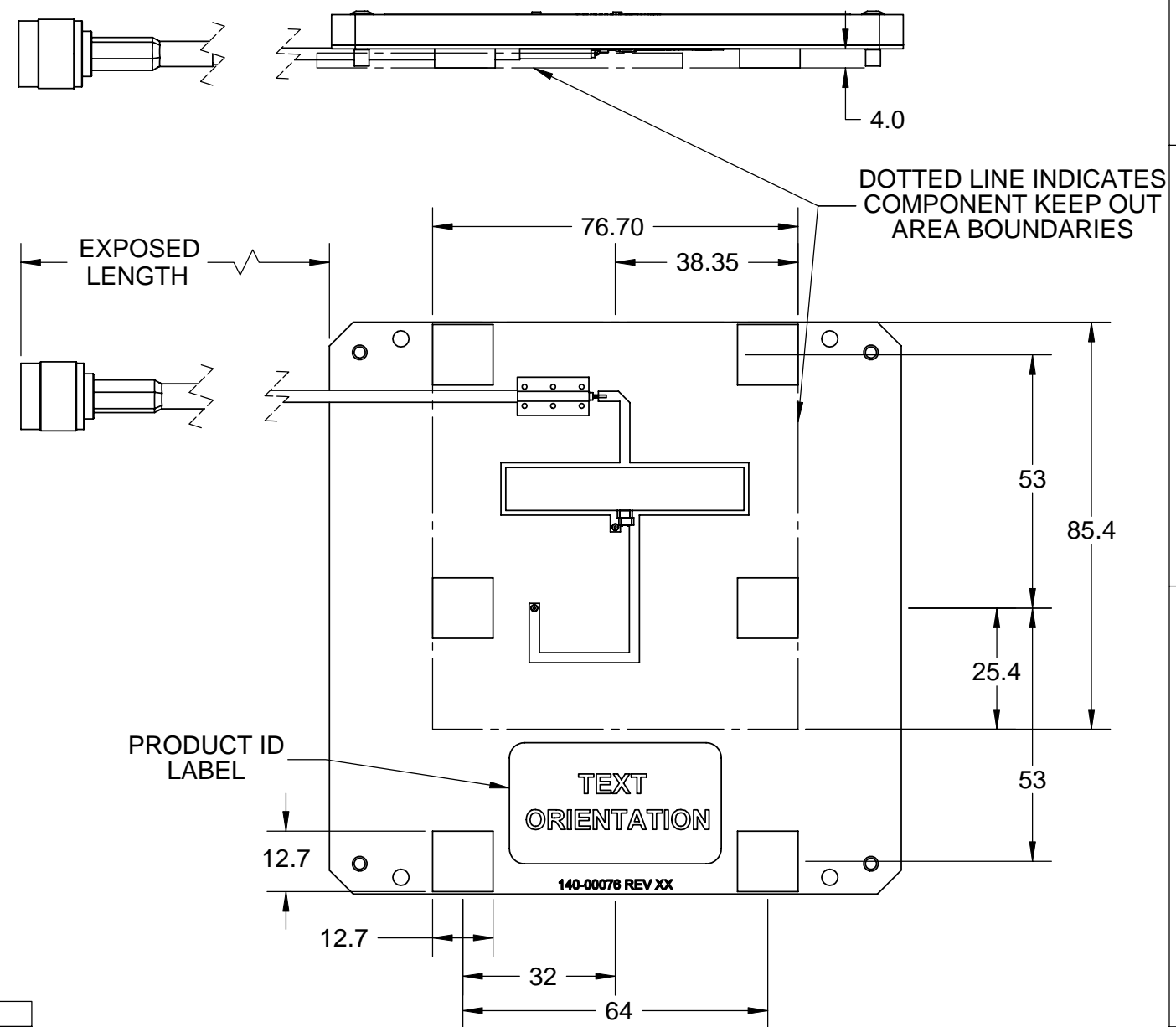
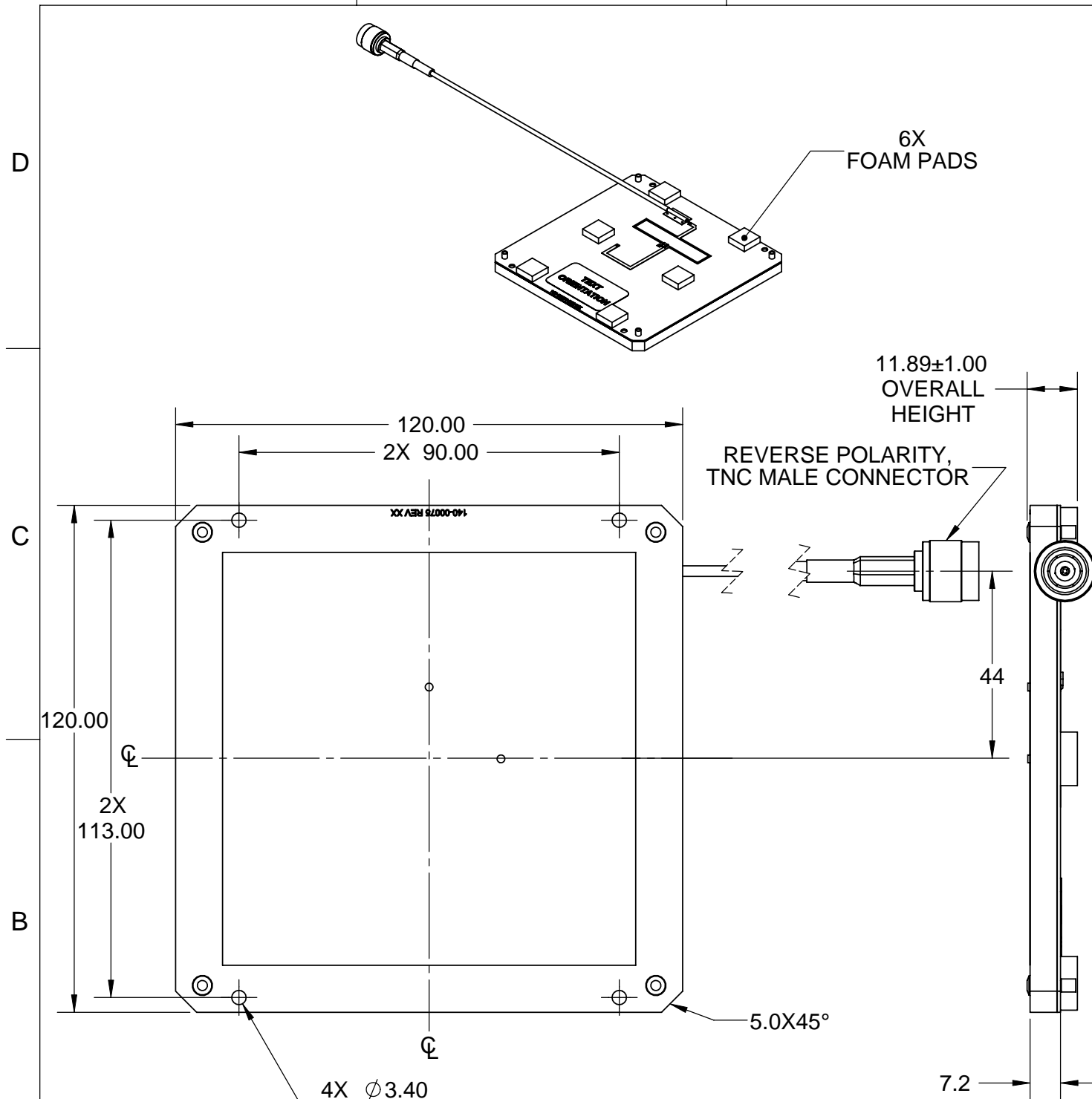


REVISIONS					
REV.	ECR#	ZONE	DESCRIPTION	CHANGED BY/DATE	APPROVED BY/DATE
1			INITIAL RELEASE	K.S. 05-05-10	K.S. 05-05-10



Parameter	Value
Model Number	PEL90206-61RTN
Frequency	902-928MHz
Gain	6dBiC
Axial Ratio	1dB
Normal Impedance	50Ω
Polarization	Left-Hand, Circular
Beamwidth	90°
VSWR	1.3:1
Front-to-Back	12dB
Power	10W
Weight	0.27kg
Cable/Length	RG58, PLENUM RATED / 61cm
Connector	REVERSE POLARITY, TNC MALE

MATERIAL: N/A		THIRD ANGLE PROJECTION
FINISH: N/A		DO NOT SCALE DRAWING
APPROVALS		DATE
DRAWN BY K. SEARL		05-05-10
PROJ. ENG.		
APPL. MECH.		
MFG.		
INTERPRET DIMENSIONING AND TOLERANCING IN ACCORDANCE WITH ASME Y14.5M-2009		
TOLERANCES UNLESS OTHERWISE SPECIFIED		
DIMENSIONS ARE IN MILLIMETERS		
ANGLE: ±30' 0 PLACE DECIMAL: +0.5 1 PLACE DECIMAL: +0.25 2 PLACE DECIMAL: ±0.13		
SURFACE ROUGHNESS 1.6		

Laird TECHNOLOGIES MANCHESTER, NH 03103 USA

TITLE: **PEL90206-61RTN MOUNTING & OUTLINE**

SIZE **A3** DWG. NO. **PEL90206-61RTNMO** REV **1**

SCALE: 1:1.25 PREVIOUS# SHEET 1 OF 1

UNLESS OTHERWISE NOTED, THIS DOCUMENT CONTAINS LAIRD TECHNOLOGIES CONFIDENTIAL INFORMATION. REPRODUCTION, USE, DISCLOSURE OR TRANSMITTAL OF ALL OR ANY PART OF THIS DOCUMENT IS PROHIBITED EXCEPT TO THE EXTENT APPROVED IN WRITING BY AN AUTHORIZED REPRESENTATIVE OF LAIRD TECHNOLOGIES. LAIRD TECHNOLOGIES RESERVES ALL RIGHTS UNDER PATENTS, TRADEMARKS, COPYRIGHTS AND TRADE SECRETS. COPYRIGHT, LAIRD TECHNOLOGIES 2010, ALL RIGHTS RESERVED.