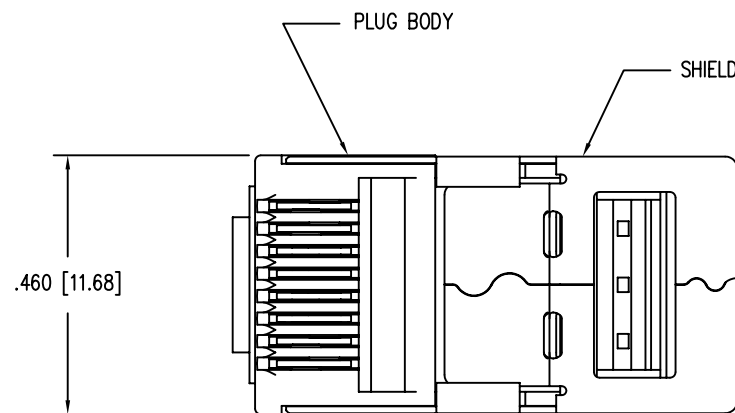
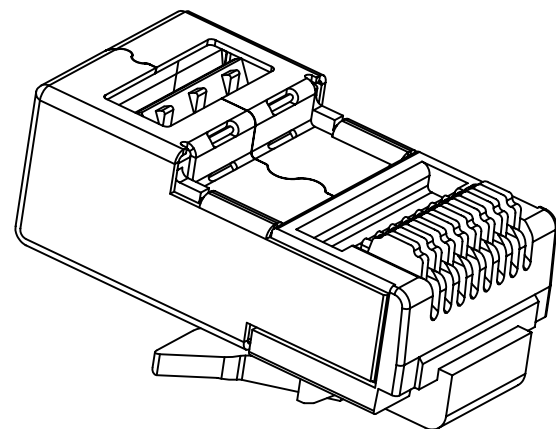
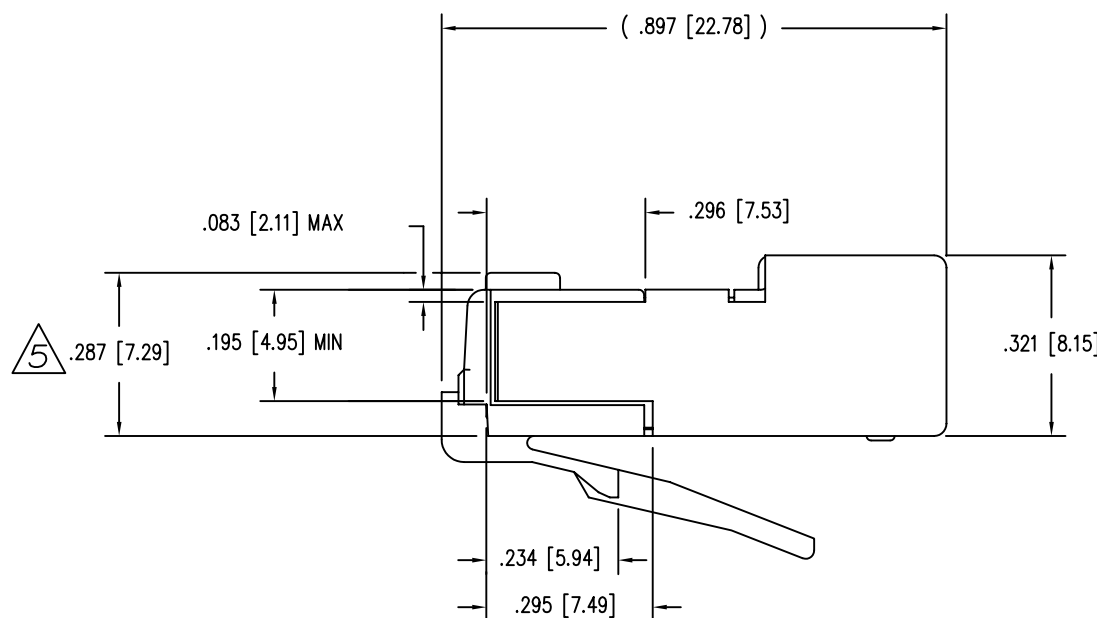
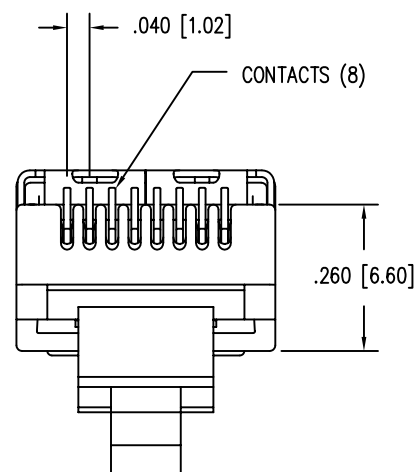


DATE	REV	ECN	APP'D. BY
4-2-04	A0	-	-
10-31-05	A1	7362	TRM
1-16-06	A2	7436	JM



B

B



NOTES:

- CONNECTOR MATERIALS:  
FRONT HOUSING PLASTIC : CLEAR POLYCARBONATE, UL 94-V0  
PLUG SHIELD : TIN PLATED BRASS  
CONTACTS : COPPER ALLOY SELECTIVE GOLD PLATED
- CONTACTS TERMINATE SOLID OR STRANDED CONDUCTORS BETWEEN .037 [0.94] TO .042 [1.07] OUTSIDE DIAMETER OF INSULATION.
- FOR PRODUCT SPECIFICATION SEE PRO26-01.
- TOLERANCE COMPLY WITH F.C.C. DIMENSION REQUIREMENTS.

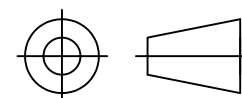
5 TERMINATED PLUG HEIGHT: .237 [6.02] ±.005 [0.13]

BAG OF 25	50 MICRO-INCHES [1.27um]	SS-37200-032
BULK	50 MICRO-INCHES [1.27um]	SS-37200-028
PACKAGE	CONTACT PLATING IN MATING AREA	PART NUMBER

A

A

THIRD ANGLE PROJECTION



# Bel Stewart Connector

11118 Susquehanna Trail South  
Glen Rock, PA 17327-9199  
(717) 235-7512 Fax: (717) 235-7954 <http://www.stewartconnector.com>

DO NOT SCALE DRAWING  
DRAWING IS SUBJECT TO  
CHANGE WITHOUT NOTICE

TITLE: MODULAR PLUG SHIELDED

DIMENSIONS: INCHES [METRIC]  
UNLESS OTHERWISE SPECIFIED  
TOLERANCES ARE ±.005 [0.13]  
ANGLES ARE ± 1°

THIS DRAWING AND THE SUBJECT MATTER SHOWN THEREON ARE CONFIDENTIAL AND THE PROPRIETARY PROPERTY OF BEL STEWART CONNECTOR AND SHALL NOT BE REPRODUCED, COPIED, OR USED IN ANY MANNER WITHOUT PRIOR WRITTEN CONSENT OF BEL STEWART CONNECTOR. THE SUBJECT MATTER MAY BE PATENTED OR A PATENT MAY BE PENDING.

DRN BY:	JMB	DATE	4-2-04
APPD BY:	RGC	DATE	4-16-04
DWG NO.	CT370055	REV.	A2

SHEET NO. 1 OF 1

