

INTEGRATED CONNECTOR MODULES

Gigabit MagJack® with Ultra-Bright LEDs

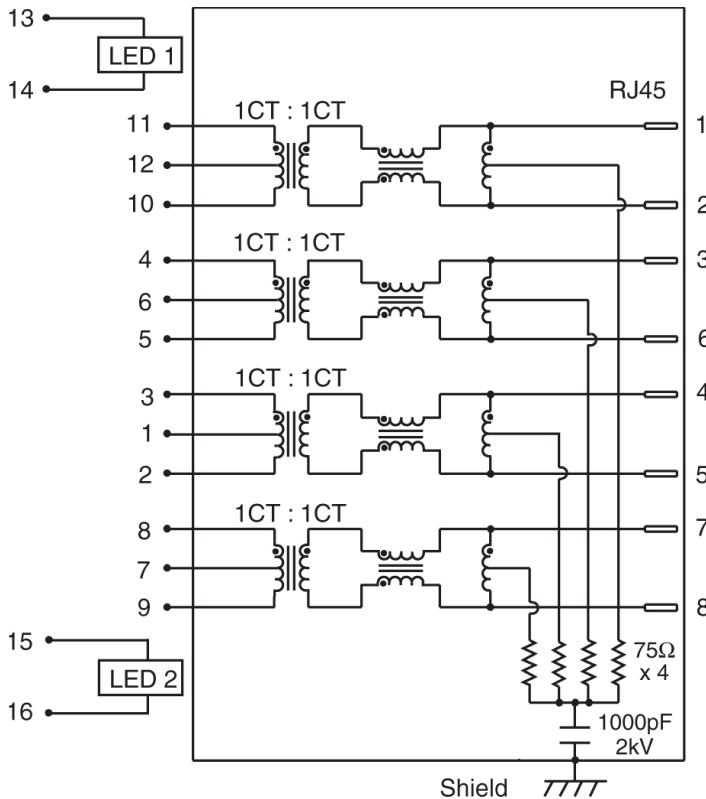


- Single port, shielded RJ 45 connector with integrated Gigabit Ethernet (1000 Base T) magnetics
- Compatible with all 1:1 Gigabit Ethernet Physical Layer Transceiver ICs
- Operating temperature: 0° to +70° C (32° to +158° F)
- Storage temperature: -40° to +85° C (-40° to +185° F)
- Complies with IEEE 802.3ab standards and all Gigabit Ethernet specifications
- Minimum interwinding breakdown voltage of 1500 Vrms
- Turns Ratio 1CT:1CT ± 2%

ELECTRICAL SPECIFICATIONS AT 25° C (77° F)

Insertion Loss dB max		Return Loss dB min		Common to Differential Mode Rejection dB min	Common to Common Mode Rejection dB min	Crosstalk dB min	Hipot Vrms min
0.1MHz to 100MHz	100MHz to 125MHz	0.5MHz to 40MHz	40MHz to 100MHz	100KHz to 100MHz	100KHz to 100MHz		
-0.8	-1.2	-18	-12 + 20 log (f/80 MHz)	-35	-30	-33 + 20 log (f/100MHz)	1500

SCHEMATIC



Part #	LEFT LED (LED 2)		RIGHT LED (LED 1)	
0826-1A1T-23-F1	Green		Yellow	
0826-1B1T-23-F1	Green	Orange	Green	Orange
0826-1C1T-23-F1	Green	Yellow	Green	Yellow
0826-1D1T-23-F1	Yellow		Green	
0826-1G1T-23-F1	Green		Green	
0826-1K1T-23-F1	Green	Yellow	Green	
0826-1L1T-23-F1	Green		Green	Yellow
0826-1X1T-23-F1	Green	Orange	Yellow	
0826-151T-23-F1	Blue		Blue	
0826-131T-23-F1	Blue	Yellow	Blue	Yellow
0826-141T-23-F1	Green	Red	Green	Red

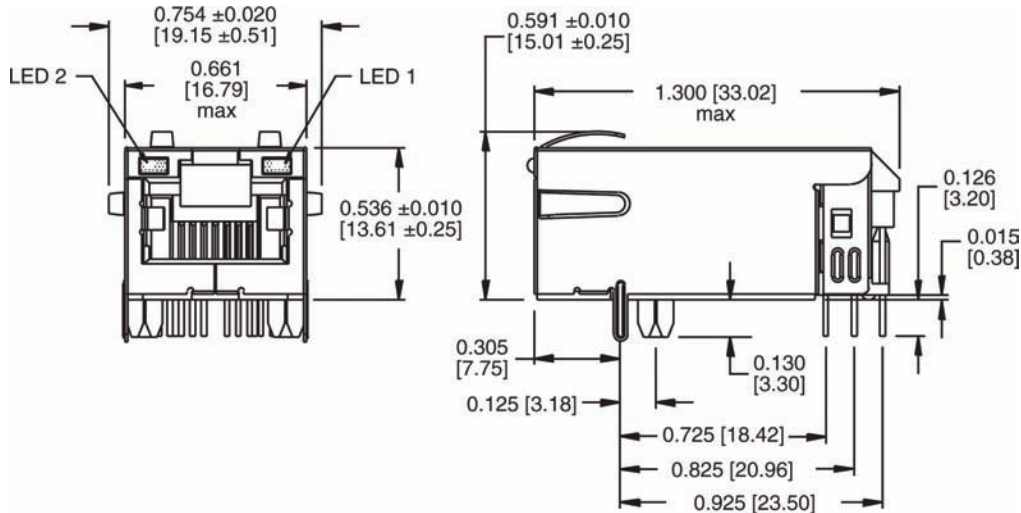


INTEGRATED CONNECTOR MODULES

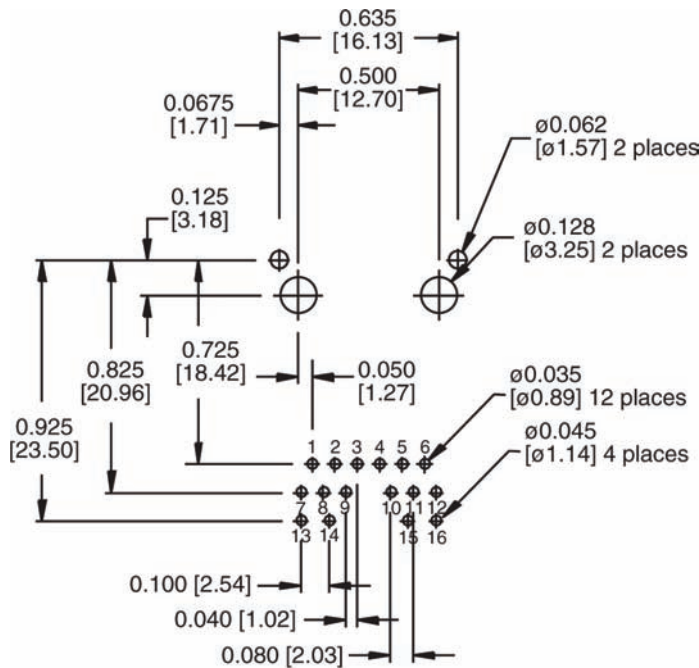
Gigabit MagJack® with Ultra-Bright LEDs



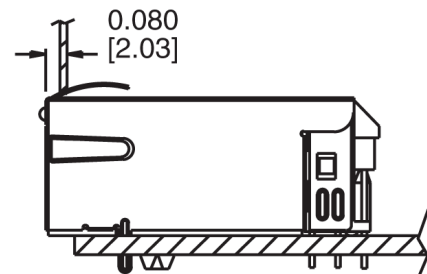
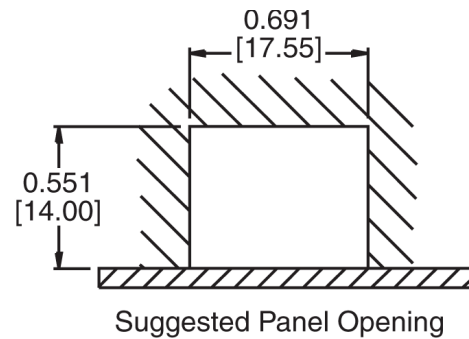
MECHANICAL



Dimensions are in inches [millimeters].
Standard dimension tolerance is ± 0.010 [0.25] unless otherwise noted.



Suggested PCB Pad Layout
Component Side View



NOTES

- Plastic Housing: Thermoplastic PA 4/6
Flammability Rating UL 94V-0
- Contacts: 50 Micro-Inch Hard Gold Plating
- Output Pins: Tin-Coated Copper Wire, DIA 0.018 Inch
- Metal Shield: Nickel or Tin Plated on Copper Alloy
(Nickel Ground Leads Are Solder Dipped)
- UL Recognized - File #E196366 and E169987
- RoHS Compliance, per EU Directive 2002/95/EC