

THE INFORMATION CONTAINED HEREIN IS CONSIDERED "PROPRIETARY" TO BEL FUSE INC. AND SHALL NOT BE COPIED, REPRODUCED OR DISCLOSED WITHOUT THE WRITTEN APPROVAL OF BEL FUSE INC.

RoHS
2002/95/EC



LED1 POLARITY			LED2 POLARITY		
PIN 7	PIN 8	COLOR	PIN 9	PIN 10	COLOR
-	+	YELLOW	+	-	ORANGE
			-	+	GREEN

ELECTRICAL CHARACTERISTICS @ 25°C

URNS RATIO

TX	1CT : 1
RX	1CT : 1
QCL @ 100kHz/100mVRMS	350μH MIN.
8mA DC BIAS	
INS. LOSS	
1MHz TO 100MHz	-1.0 dB MAX
RET. LOSS (MIN)	
1MHz-30MHz	-18 dB
30MHz-60MHz	-18+20LOG(F/30MHz) dB
60MHz-80MHz	-12 dB
CROSS TALK (TX - RX)	
500kHz-100MHz	-35 dB MIN
CM TO CM REJ	
100kHz-100MHz	-30 dB MIN
CM TO DM REJ	
100kHz-100MHz	-40 dB MIN
HIPOT (Isolation Voltage):	1500 Vrms

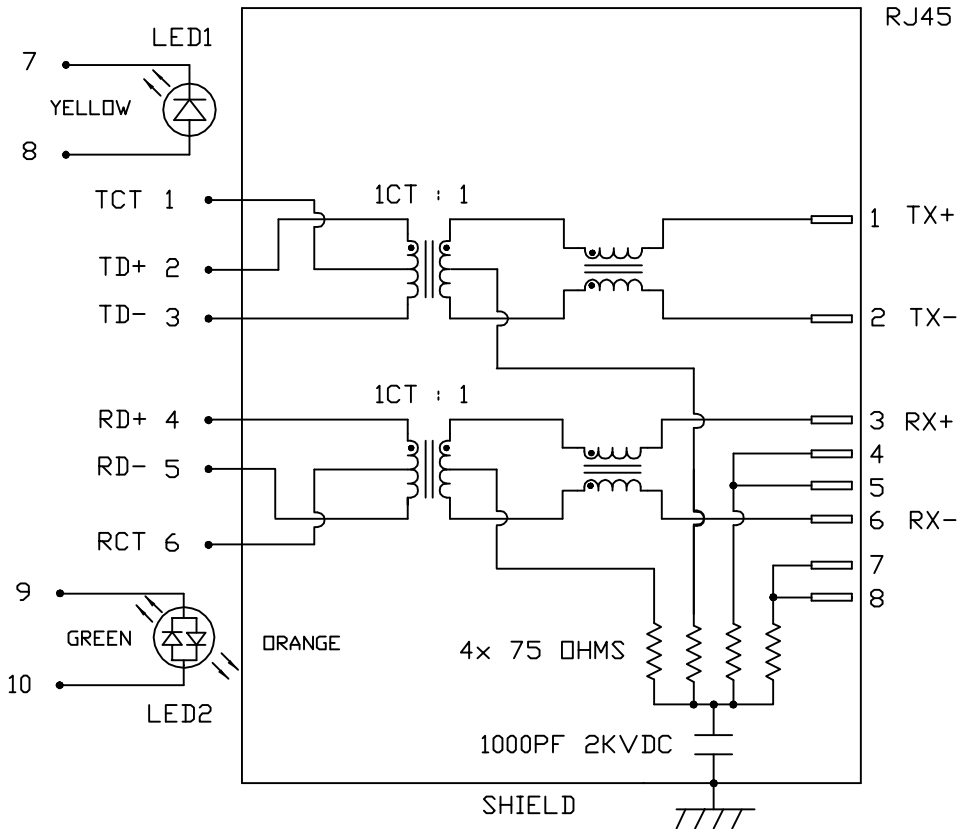
LED 1

VF (FORWARD VOLTAGE)	IF=20mA	YELLOW	2.1V TYP.
λD (DOMINANT WAVELENGTH)	IF=20mA	YELLOW	590nm TYP.

LED 2

VF (FORWARD VOLTAGE)	IF=20mA	GREEN	2.2V TYP.
		ORANGE	2.0V TYP.
λD (DOMINANT WAVELENGTH)	IF=20mA	GREEN	565nm TYP.
		ORANGE	610nm TYP.

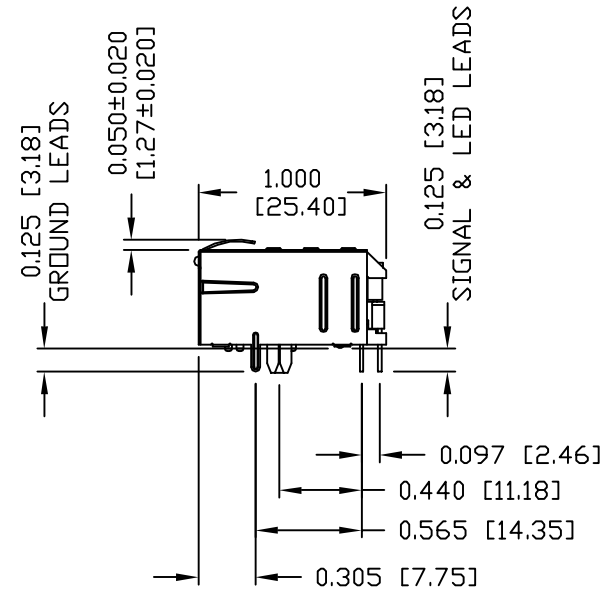
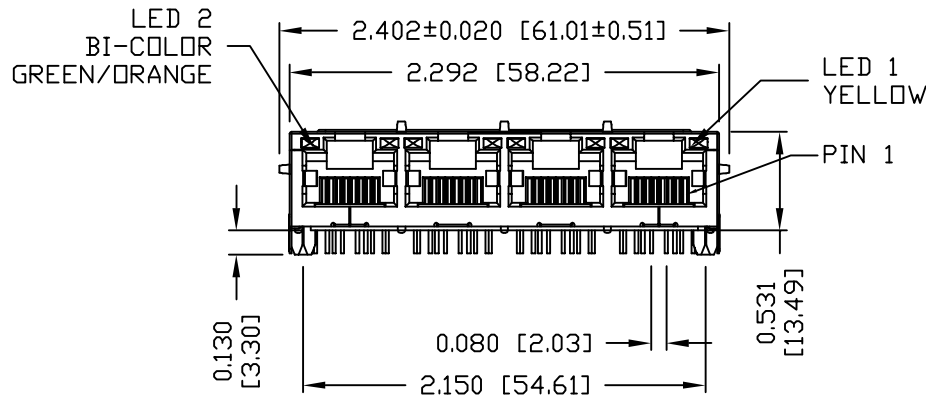
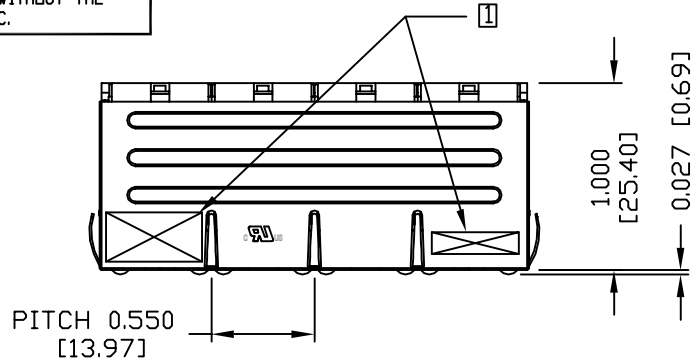
SCHEMATIC



ORIGINATED BY	DATE	TITLE	PART NO. / DRAWING NO.	STANDARD DIM.	[] METRIC DIM. AS REFERENCE	 COMPONENTS FOR A CONNECTED PLANET	
CHUNG	05-14-05	1X4 MagJack® (Ext. Temp., Auto MDIX)	08101X4T36-F	TOL. IN INCH	UNIT : INCH [mm]		REV. : A
DRAWN BY	DATE		FILE NAME	.X	SCALE : N/A		SIZE : A4
DE	05-14-05	0810-1X4T-36-F	08101X4T36-FA.DWG	.XX			PAGE : 2

THE INFORMATION CONTAINED HEREIN IS CONSIDERED "PROPRIETARY" TO BEL FUSE INC. AND SHALL NOT BE COPIED, REPRODUCED OR DISCLOSED WITHOUT THE WRITTEN APPROVAL OF BEL FUSE INC.

RoHS
2002/95/EC



NOTES:

- PLASTIC HOUSING: THERMOPLASTIC PBT
FLAMMABILITY RATING UL 94V-0
- CONTACTS PLATING: 50 MICRO-INCH HARD GOLD PLATING
- PINS: TIN-COATED COPPER WIRE, DIA 0.018 INCH.
- METAL SHIELD: NICKEL OR TIN PLATED ON COPPER ALLOY.
(ALL NICKEL PLATED GROUND LEADS
ARE SOLDER DIPPED)

UL RECOGNIZED - FILE #E196366 AND E169987.
RoHS COMPLIANCE, PER EU DIRECTIVE 2002/95/EC.

① MARK PART WITH MFG LOGO, MFG NAME, PART NUMBER, AND DATE CODE.

ORIGINATED BY	DATE	TITLE	PART NO. / DRAWING NO.	STANDARD DIM. TOL. IN INCH		[] METRIC DIM. AS REFERENCE		bel
				.X	.XX	.XXX	±0.010	
BILL	05-14-05	1X4 MagJack® (Ext. Temp., Auto MDIX)	08101X4T36-F					
DRAWN BY	DATE		FILE NAME					
LING	05-14-05		08101X4T36-FA.DWG					
						SCALE : N/A	SIZE : A4	COMPONENTS FOR A CONNECTED PLANET
							PAGE : 3	

THE INFORMATION CONTAINED HEREIN IS CONSIDERED "PROPRIETARY" TO BEL FUSE INC. AND SHALL NOT BE COPIED, REPRODUCED OR DISCLOSED WITHOUT THE WRITTEN APPROVAL OF BEL FUSE INC.

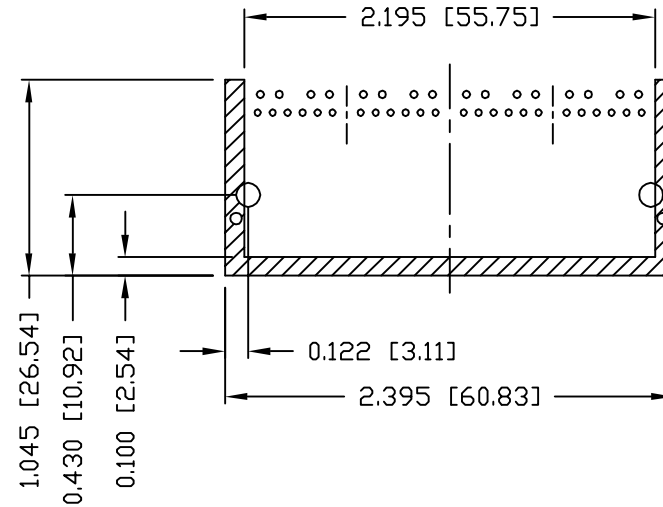
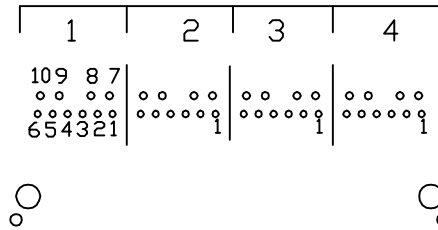
RoHS
2002/95/EC



PIN-OUT INFORMATION
(COMPONENT SIDE VIEW)

6	RCT
5	RD-
4	RD+
3	TD-
2	TD+
1	TCT

PORT ASSIGNMENT
(COMPONENT SIDE VIEW)



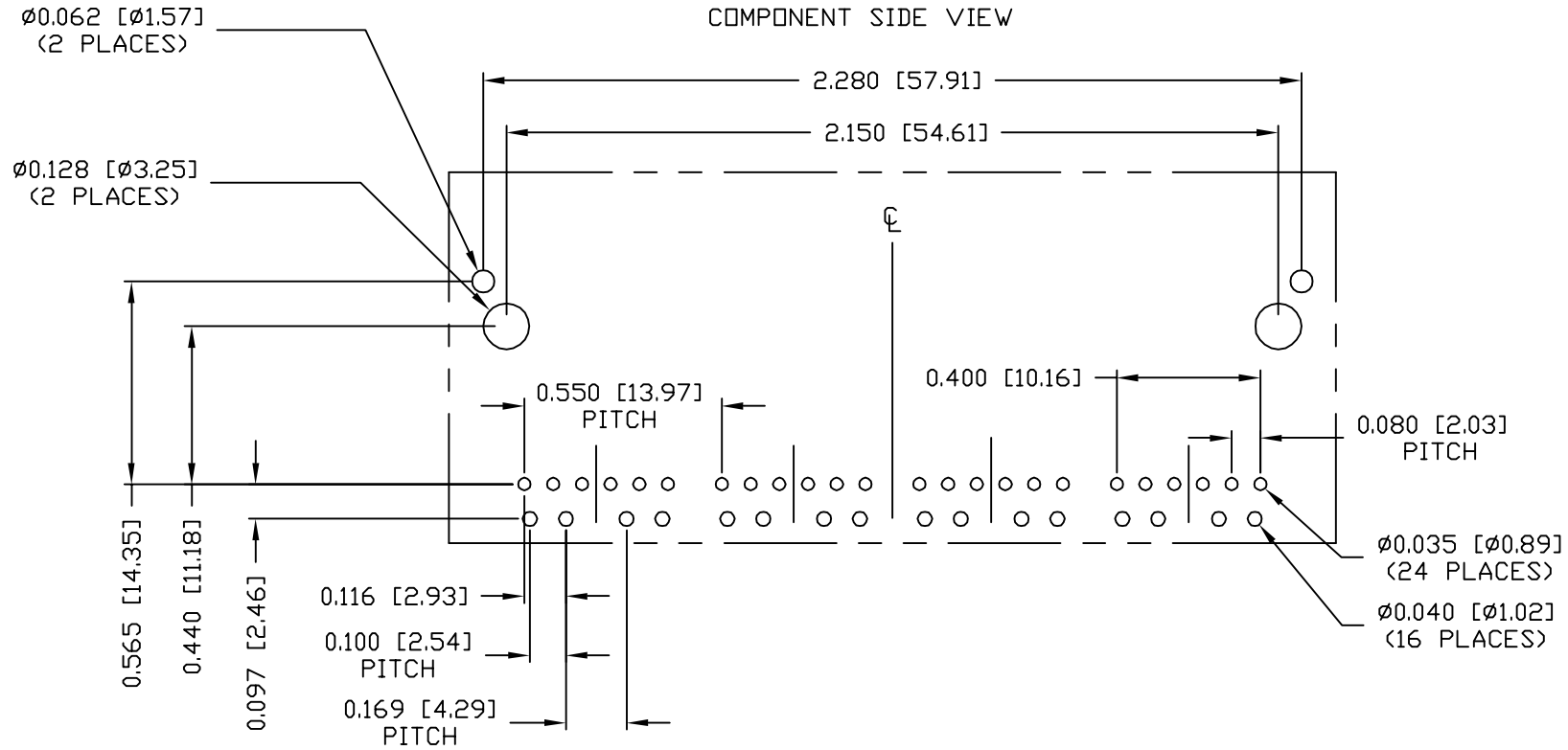
THE SHADED AREA ON THE CUSTOMER BOARD ARE RECOMMENDED TO BE CLEAR OFF ANY VIA HOLE OR COMPONENT PAD.

ORIGINATED BY	DATE	TITLE	PART NO. / DRAWING NO.	STANDARD DIM. TOL. IN INCH	[] METRIC DIM. AS REFERENCE	<p>COMPONENTS FOR A CONNECTED PLANET</p>	
BILL	05-14-05	1X4 MagJack® (Ext. Temp., Auto MDIX) 0810-1X4T-36-F	08101X4T36-F	.X	UNIT : INCH [mm]		REV. : A
DRAWN BY	DATE		FILE NAME	.XX	SCALE : N/A		SIZE : A4
LING	05-14-05		08101X4T36-FA.DWG	.XXX ±0.010			PAGE : 4

THE INFORMATION CONTAINED HEREIN IS CONSIDERED "PROPRIETARY" TO BEL FUSE INC. AND SHALL NOT BE COPIED, REPRODUCED OR DISCLOSED WITHOUT THE WRITTEN APPROVAL OF BEL FUSE INC.



RECOMMENDED PCB FOOTPRINT
COMPONENT SIDE VIEW



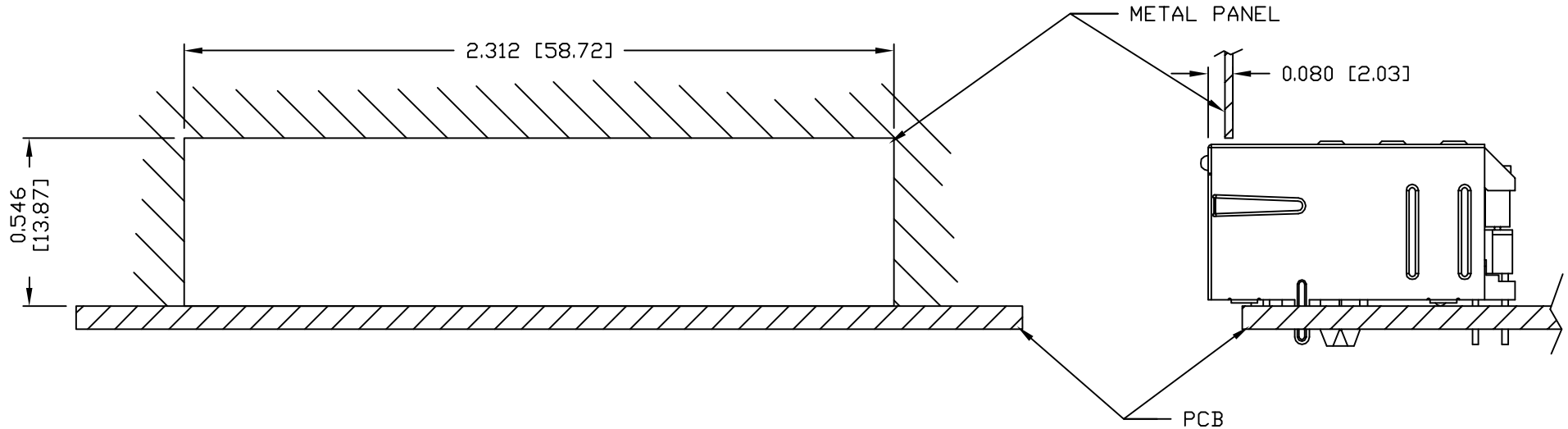
ORIGINATED BY	DATE	TITLE	PART NO. / DRAWING NO.	STANDARD DIM. TOL. IN INCH	[] METRIC DIM. AS REFERENCE
BILL	05-14-05	1X4 MagJack® (Ext. Temp., Auto MDIX) 0810-1X4T-36-F	08101X4T36-F	.X	UNIT : INCH [mm] REV. : A
DRAWN BY	DATE		FILE NAME	.XX	SCALE : N/A SIZE : A4
LING	05-14-05		08101X4T36-FA.DWG	.XXX ±0.010	⊕ PAGE : 5



THE INFORMATION CONTAINED HEREIN IS CONSIDERED "PROPRIETARY" TO BEL FUSE INC. AND SHALL NOT BE COPIED, REPRODUCED OR DISCLOSED WITHOUT THE WRITTEN APPROVAL OF BEL FUSE INC.



SUGGESTED PANEL OPENING



NOTES:

THE DISTANCE OF PANEL INSIDE SURFACE RELATIVE TO FRONT SURFACE OF PART IS ONLY A SUGGESTION. IN CASE THIS DISTANCE IS DIFFERENT, THE REQUIRED PANEL OPENING DIMENSIONS CHANGE ACCORDINGLY.

PACKING INFORMATION

PACKING TRAY : 0200-0148-17

PACKING QUANTITY : 30 PCS FINISHED GOODS PER TRAY.

10 TRAYS (300 PCS FINISHED GOODS) PER CARTON BOX.

NOTE : CARDBOARDS ARE PLACED BETWEEN LAYERS OF PACKING TRAY INSIDE CARTON BOX.

(INCLUDE THE UPPERMOST AND LOWERMOST TRAY)

ORIGINATED BY	DATE	TITLE	PART NO. / DRAWING NO.	STANDARD DIM. TOL. IN INCH	[] METRIC DIM. AS REFERENCE
BILL	05-14-05	1X4 MagJack® (Ext. Temp., Auto MDIX) 0810-1X4T-36-F	08101X4T36-F	.X	UNIT : INCH [mm] REV. : A
DRAWN BY	DATE		FILE NAME	.XX	SCALE : N/A SIZE : A4
LING	05-14-05		08101X4T36-FA.DWG	.XXX ±0.005	⊕ PAGE : 6

