

# INTEGRATED CONNECTOR MODULES

## 0826-1X2T-23 Gigabit Ethernet MagJack® 1 x 2 with LEDs



LED1 POLARITY			LED2 POLARITY		
PIN 13	PIN 14	COLOR	PIN 15	PIN 16	COLOR
-	+	YELLOW	+	-	ORANGE
			-	+	GREEN

### ELECTRICAL CHARACTERISTICS @ 25°C

#### URNS RATIO

TP1	1CT : 1CT ±2%
TP2	1CT : 1CT ±2%
TP3	1CT : 1CT ±2%
TP4	1CT : 1CT ±2%

**DCL @ 100kHz/100mVRMS**  
8mA DC BIAS

350µH MIN.

#### INS. LOSS

0.1MHz TO 1MHz	-1.1 dB MAX
1MHz TO 65MHz	-0.5 dB MAX
65MHz TO 100MHz	-0.8 dB MAX
100MHz TO 125MHz	-1.2 dB MAX

#### RET. LOSS (MIN)

0.5MHz-40MHz	-18 dB
40MHz-100MHz	-12+20LOG(f/80MHz) dB

#### CM TO CM REJ

100kHz - 100MHz	-30 dB MIN
-----------------	------------

#### CM TO DM REJ

100kHz - 100MHz	-35 dB MIN
-----------------	------------

**HIPOT (Isolation Voltage):**

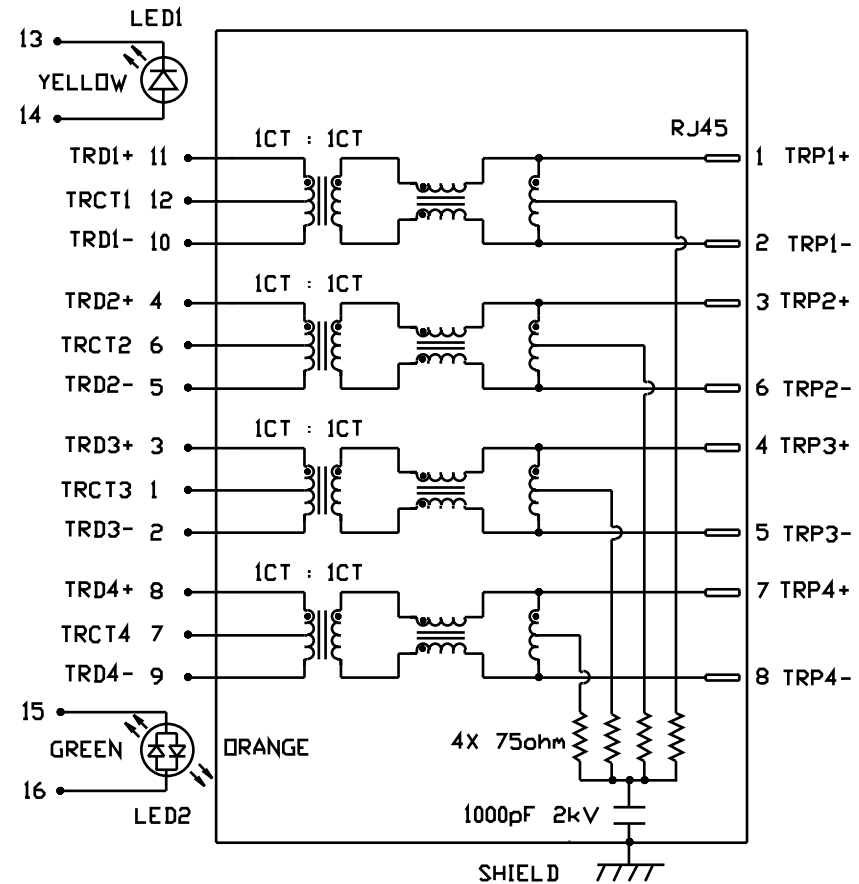
1500 Vrms

#### LED 1

V <sub>F</sub> (FORWARD VOLTAGE)	IF=20mA	YELLOW 2.1V TYP.
λ <sub>D</sub> (DOMINANT WAVELENGTH)	IF=20mA	YELLOW 590nm TYP.

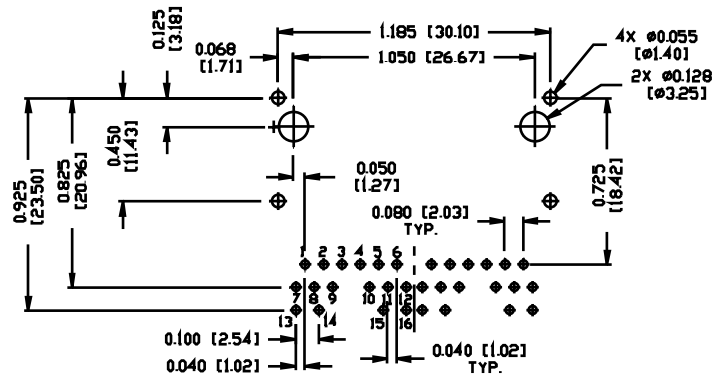
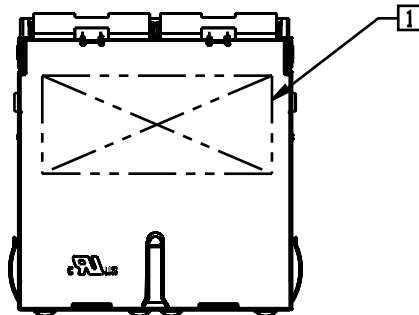
#### LED 2

V <sub>F</sub> (FORWARD VOLTAGE)	IF=20mA	GREEN 2.2V TYP.
		ORANGE 2.0V TYP.
λ <sub>D</sub> (DOMINANT WAVELENGTH)	IF=20mA	GREEN 565nm TYP.
		ORANGE 610nm TYP.

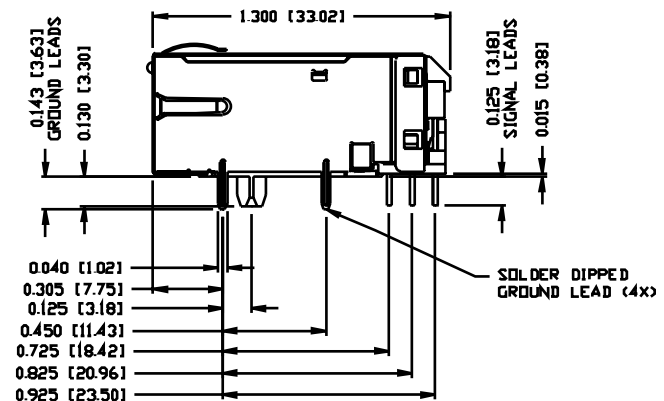
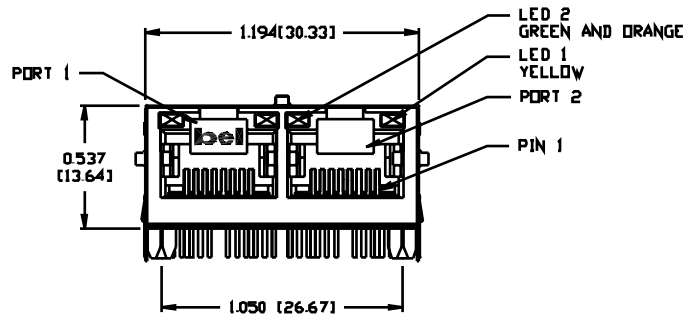


# INTEGRATED CONNECTOR MODULES

## 0826-1X2T-23 Gigabit Ethernet Port MagJack® 1 x 2 with LEDs



**RECOMMENDED PCB FOOTPRINT  
COMPONENT SIDE VIEW**



**NOTES:**

- PLASTIC HOUSING: THERMOPLASTIC PBT  
FLAMMABILITY RATING UL 94V-0
- CONTACTS PLATING: 30 MICRO-INCH HARD GOLD PLATING
- PINS: TIN-COATED COPPER WIRE, DIA 0.018 INCH.
- METAL SHIELD: NICKEL PLATED ON COPPER ALLOY.  
(ALL GROUND LEADS ARE SOLDER DIPPED)

1 MARK PART WITH MFG LOGO, PART NUMBER, DATE CODE AND MFG NAME.

UL RECOGNIZED - FILE #E196366 AND E169987.

RoHS COMPLIANCE, PER EU DIRECTIVE 2002/95/EC